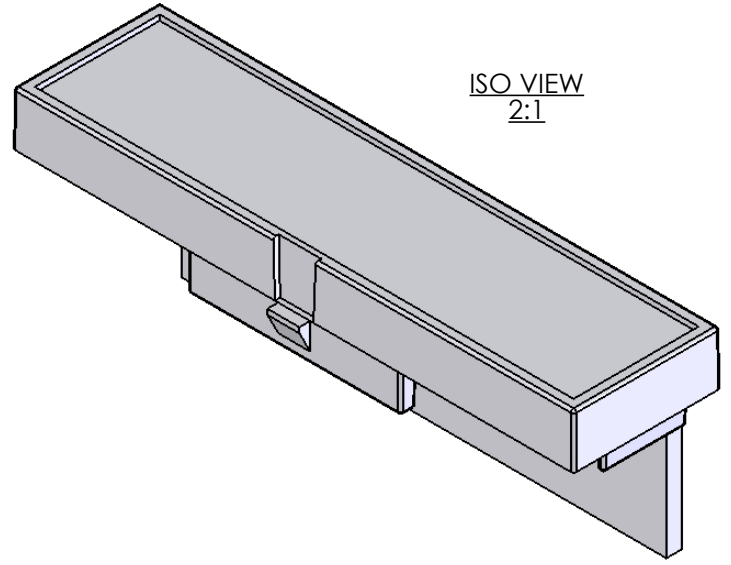
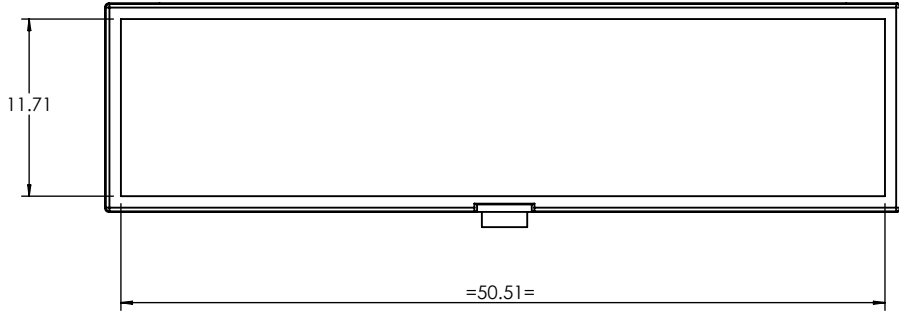


1 2 3 4 5 6

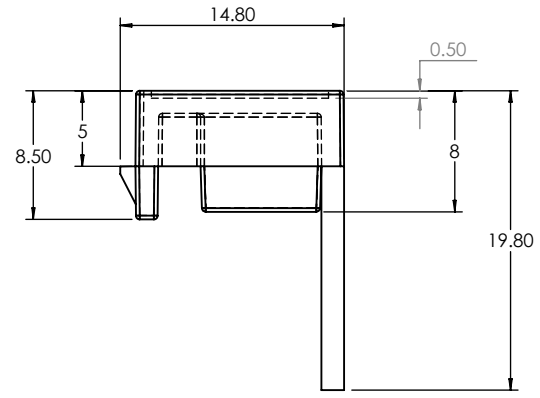
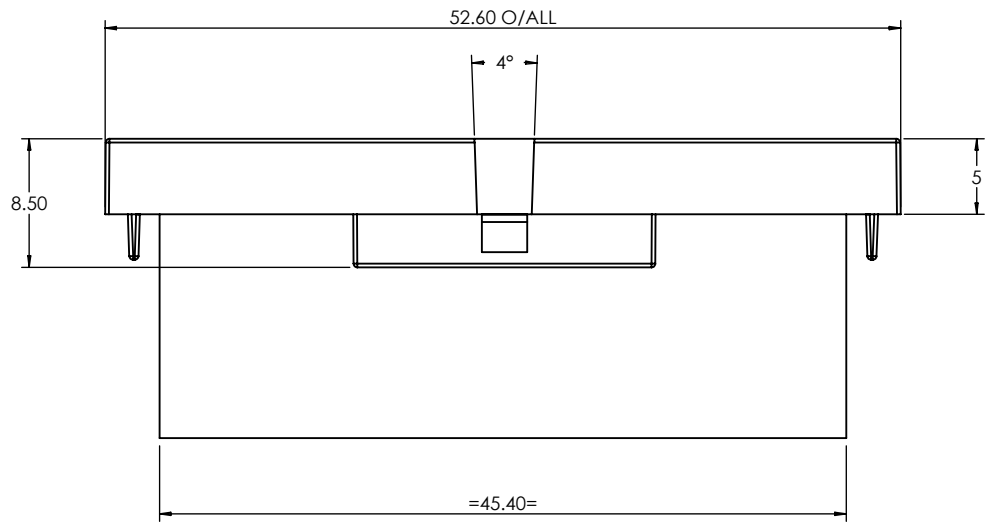
A

A



B



B



C

C

D

 CAMDENBOSS JAMES CARTER RD, MILDENHALL, SUFFOLK. IP28 7DE TEL: 01638 716101 FAX: 01638 716554 EMAIL: Sales@CamdenBoss.com WEB: www.CamdenBoss.com				UNLESS OTHERWISE SPECIFIED: DIMENSIONS ARE IN MILLIMETERS		DO NOT SCALE DRAWING		REVISION. ○				
				GENERAL TOLERANCES +/- 0.2		TITLE: DIMENSION DRAWING FOR CNMB/3/TGS						
DRAWN		NAME	SIGNED	DATE	FINISH. LIGHT SPARK		MATERIAL. PA UL 94 - V0		DWG NO. cnmb-3-TGS		A4	
CHKD		-	-	-	PROJECTION. 		SCALE: 2:1		SHEET 1 OF 1			

1 2 3