

OVERALL ASSEMBLY DIMENSIONS:

EXTERNAL - 55.7 (76) x 39.6 (42.4) x 23.7

INTERNAL - 52 x 36 x 18.75

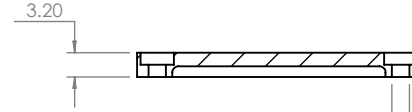


SECTION B-B

SELF TAPPING SCREW

LID

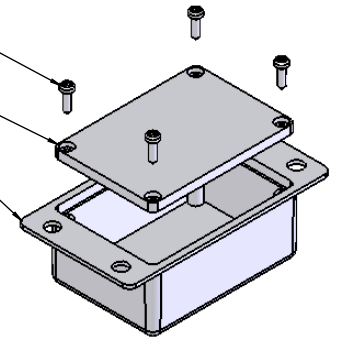
BASE



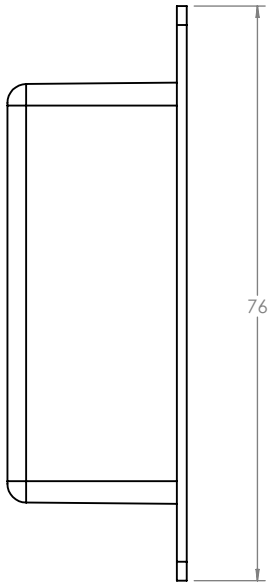
SECTION C-C

Ø2.30
CBORE Ø4.4

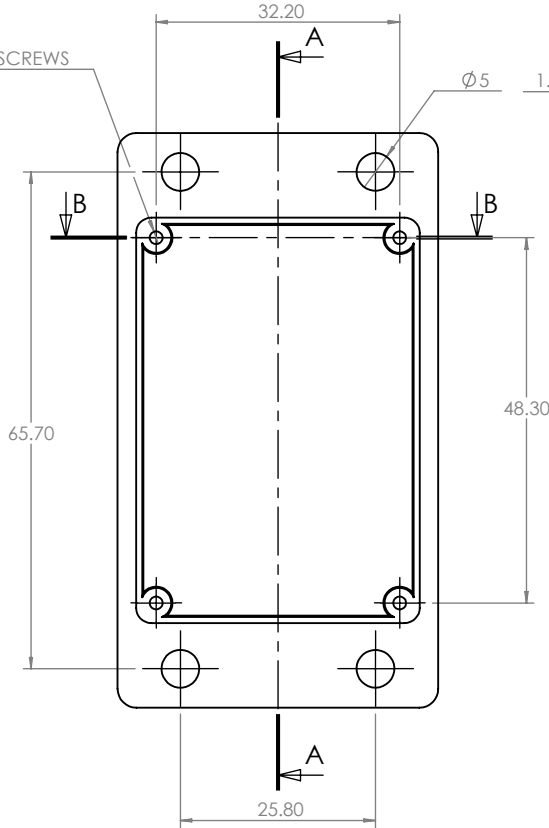
ISO VIEW
1:2



FOR SELF TAPPING SCREWS

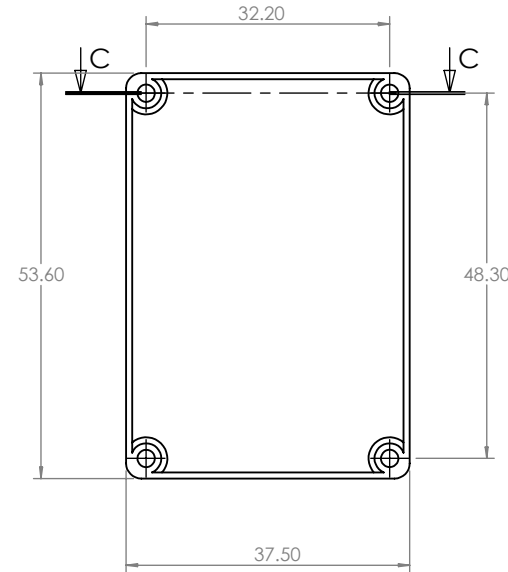


BASE

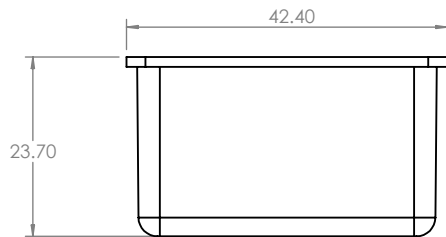




SECTION A-A

1.8 GNL WALL THK



LID



 CAMDENBOSS JAMES CARTER RD, MILDENHALL, SUFFOLK, IP28 7DE TEL: 01 638 716101 FAX: 01 638 716554 EMAIL: SALES@CAMDENBOSS.COM WEB: WWW.CAMDENBOSS.COM		UNLESS OTHERWISE SPECIFIED: DIMENSIONS ARE IN MILLIMETERS		DO NOT SCALE DRAWING	REVISION. 0
		FINISH. LIGHT SPARK		TITLE: ASSEMBLY DRG FOR 508	
DRAWN	S.HARDINGE	SIGNED	SJH	DATE	22/06/06
CHKD	-	-	-	MATERIAL.	ABS
		PROJECTION.			DWG NO. 508
				SCALE. 1 : 1	SHEET 1 OF 1
					A4