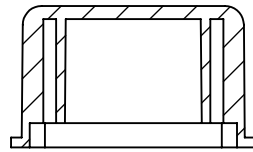


OVERALL ASSEMBLY DIMENSIONS:

EXTERNAL - 41.7 (62) x 29.5 (32.3) x 18.7

INTERNAL - 38 x 25.8 x 13.75

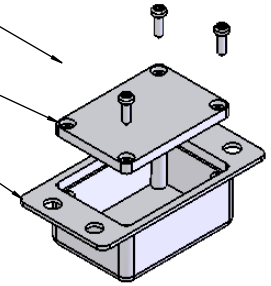


SECTION B-B

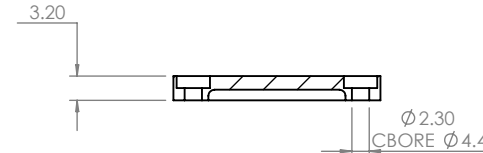
SELF TAPPING SCREWS

LID

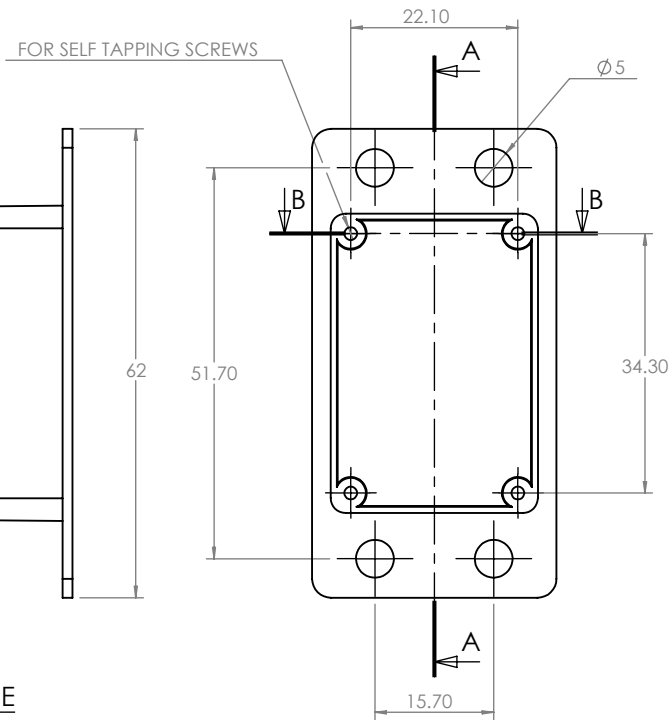
BASE



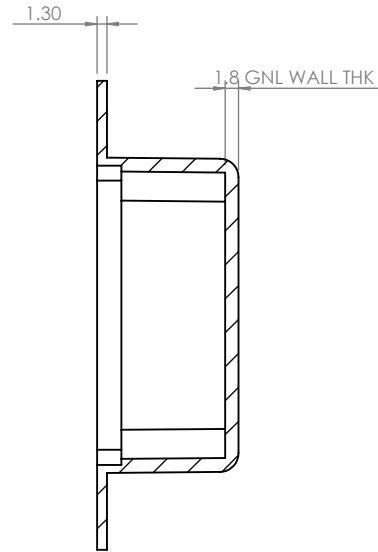
ISO VIEW
1:2



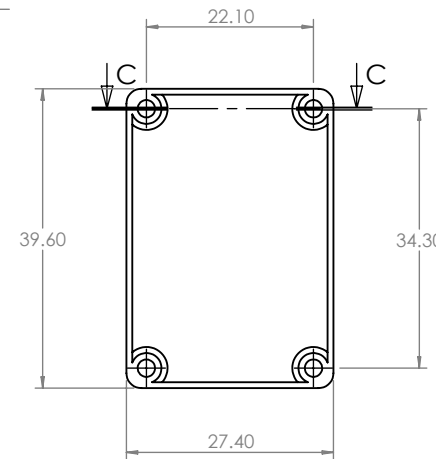
SECTION C-C



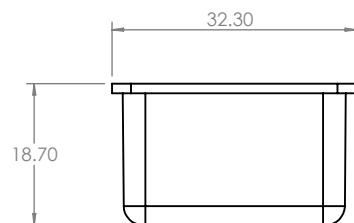
BASE





SECTION A-A



LID



 CAMDENBOSS JAMES CARTER RD, MILDENHALL, SUFFOLK, IP28 7DE TEL: 01 638 716101 FAX: 01 638 716554 EMAIL: SALES@CAMDENBOSS.COM WEB: www.CAMDENBOSS.COM		UNLESS OTHERWISE SPECIFIED: DIMENSIONS ARE IN MILLIMETERS		DO NOT SCALE DRAWING	REVISION. 0
		FINISH: LIGHT SPARK		TITLE: ASSEMBLY DRG FOR 506	
DRAWN	S.HARDINGE	SJH	22/06/06	MATERIAL: ABS	DWG NO. 506
CHKD	-	-	-	PROJECTION. 	SCALE: 1 : 1
					A4
					SHEET 1 OF 1