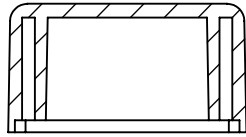


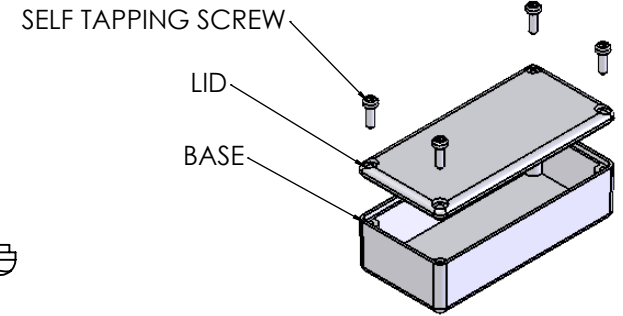
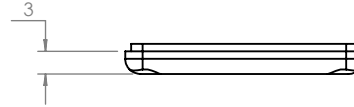
OVERALL ASSEMBLY DIMENSIONS:

EXTERNAL - 66.5 x 31.5 x 20

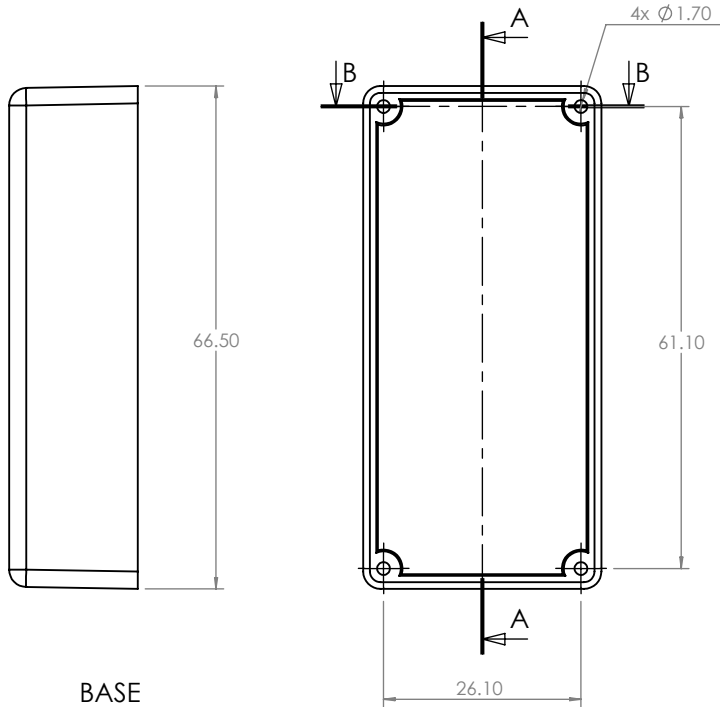
INTERNAL - 63 x 28 x 16



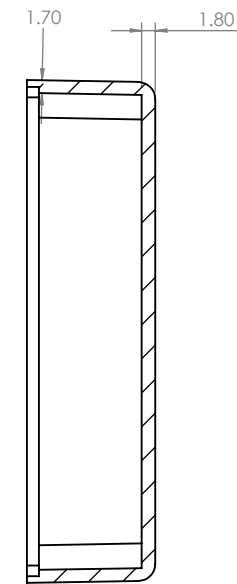
SECTION B-B



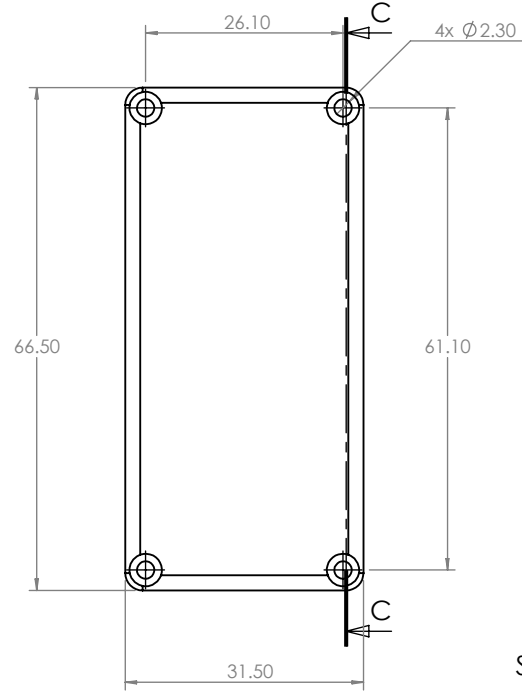
ISO VIEW  
1:2



BASE

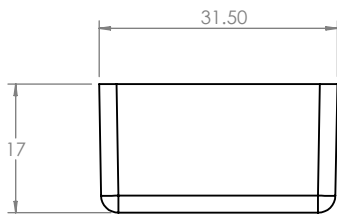




SECTION A-A



LID

SECTION C-C



 <b>CAMDENBOSS</b> JAMES CARTER RD, MILDENHALL, SUFFOLK, IP28 7DE TEL: 01 638 716101 FAX: 01 638 716554 EMAIL: SALES@CAMDENBOSS.COM WEB: WWW.CAMDENBOSS.COM				UNLESS OTHERWISE SPECIFIED: DIMENSIONS ARE IN MILLIMETERS		DO NOT SCALE DRAWING		REVISION. 0		
				FINISH. <b>LIGHT SPARK</b>		TITLE: <b>ASSEMBLY DRG FOR RX2KL07</b>				
DRAWN S.HARDINGE		SIGNED SJH		DATE 15/03/07		MATERIAL. <b>ABS</b>		DWG NO. <b>RX2KL07</b>		A4
CHKD -		-		-		PROJECTION. 		SCALE. 1 : 1		SHEET 1 OF 1