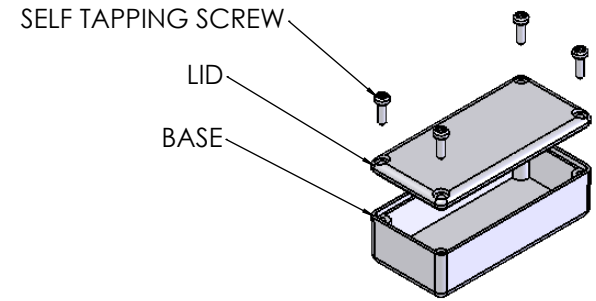


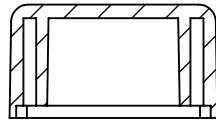
OVERALL ASSEMBLY DIMENSIONS:

EXTERNAL - 57.5 x 27.5 x 18

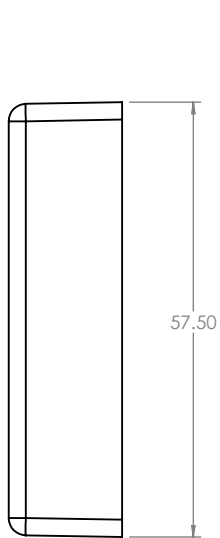
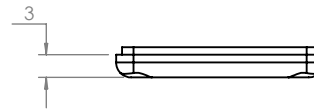
INTERNAL - 54 x 24 x 14



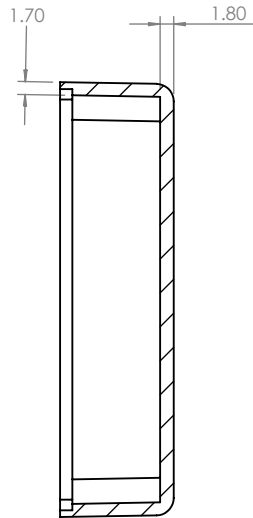
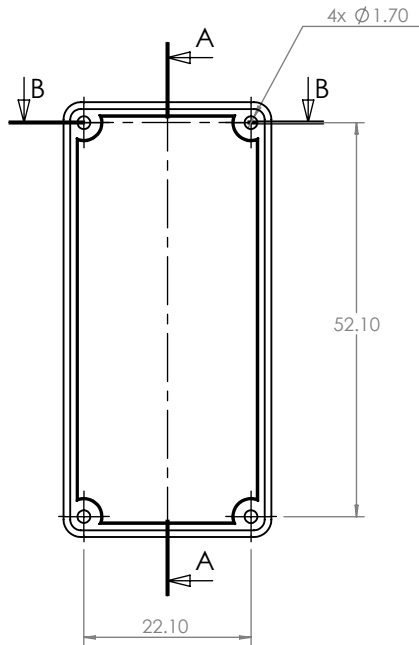
ISO VIEW  
1:2



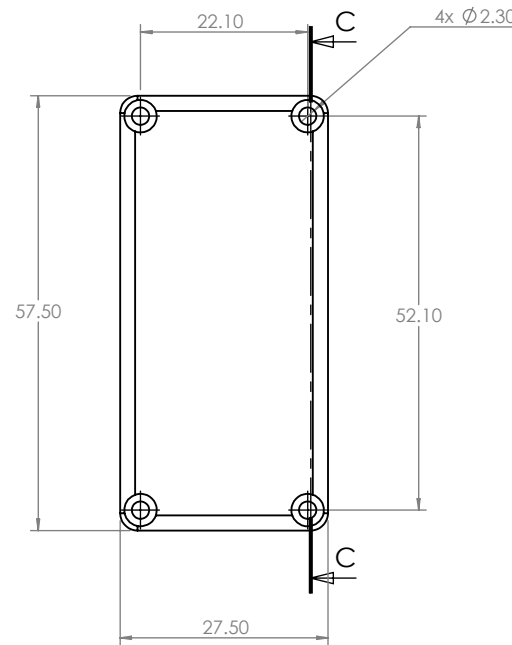
SECTION B-B



BASE

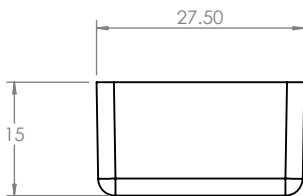




SECTION A-A



LID

SECTION C-C



 <b>CAMDENBOSS</b> JAMES CARTER RD, MILDENHALL, SUFFOLK, IP28 7DE TEL: 01 638 716101 FAX: 01 638 716554 EMAIL: SALES@CAMDENBOSS.COM WEB: www.CAMDENBOSS.COM				UNLESS OTHERWISE SPECIFIED: DIMENSIONS ARE IN MILLIMETERS		DO NOT SCALE DRAWING		REVISION. 0		
				FINISH. <b>LIGHT SPARK</b>		TITLE: <b>ASSEMBLY DRG FOR RX2KL06</b>				
DRAWN S.HARDINGE		SIGNED SJH		DATE 14/03/07		MATERIAL. <b>ABS</b>		DWG NO. <b>RX2KL06</b>		A4
CHKD -		-		-		PROJECTION. 		SCALE. 1 : 1		SHEET 1 OF 1