

OVERALL ASSEMBLY DIMENSIONS:

EXTERNAL - 48.5 x 23.5 x 16.25

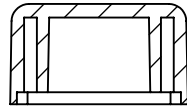
INTERNAL - 45 x 20 x 11.25

SELF TAPPING SCREW

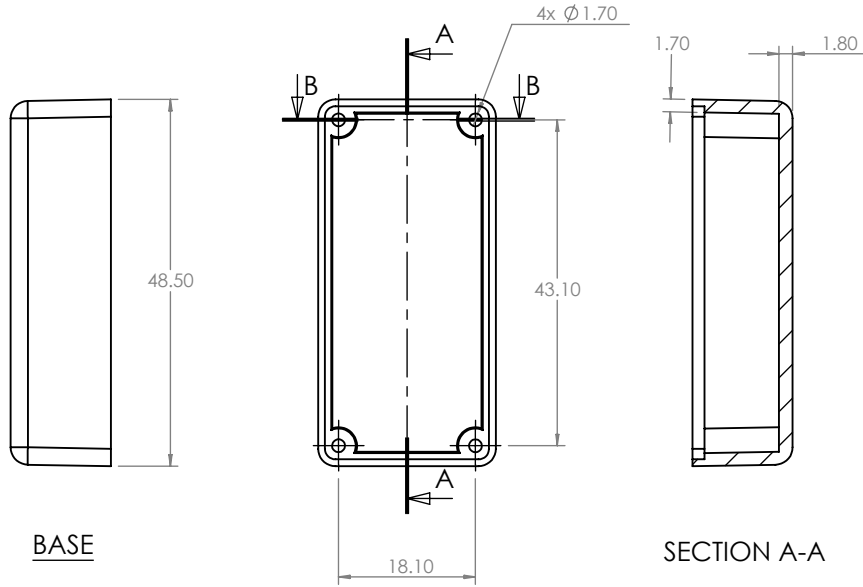
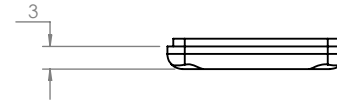
LID

BASE

ISO VIEW
1:2

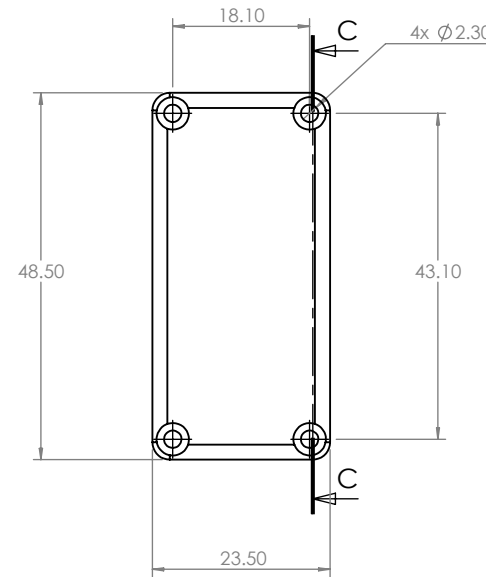


SECTION B-B





BASE

SECTION A-A



LID

SECTION C-C

 CAMDENBOSS JAMES CARTER RD, MILDENHALL, SUFFOLK, IP28 7DE TEL: 01 638 716101 FAX: 01 638 716554 EMAIL: SALES@CAMDENBOSS.COM WEB: WWW.CAMDENBOSS.COM				UNLESS OTHERWISE SPECIFIED: DIMENSIONS ARE IN MILLIMETERS		DO NOT SCALE DRAWING		REVISION. O		
				FINISH. LIGHT SPARK		TITLE: ASSEMBLY DRG FOR RX2KL05				
DRAWN S.HARDINGE		SIGNED SJH		DATE 12/03/07		MATERIAL. ABS		DWG NO. RX2KL05		A4
CHKD -		-		-		PROJECTION. 		SCALE. 1 : 1		SHEET 1 OF 1