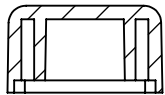


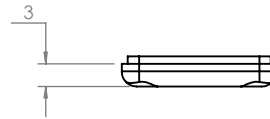
OVERALL ASSEMBLY DIMENSIONS:

EXTERNAL - 41.75 x 20.5 x 14.5

INTERNAL - 38.25 x 17 x 8.8



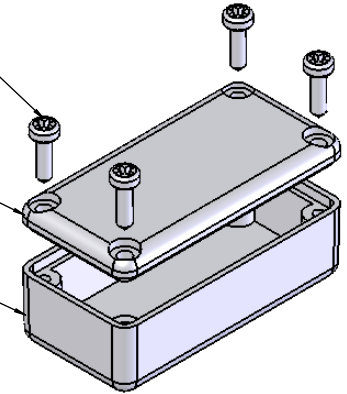
SECTION B-B



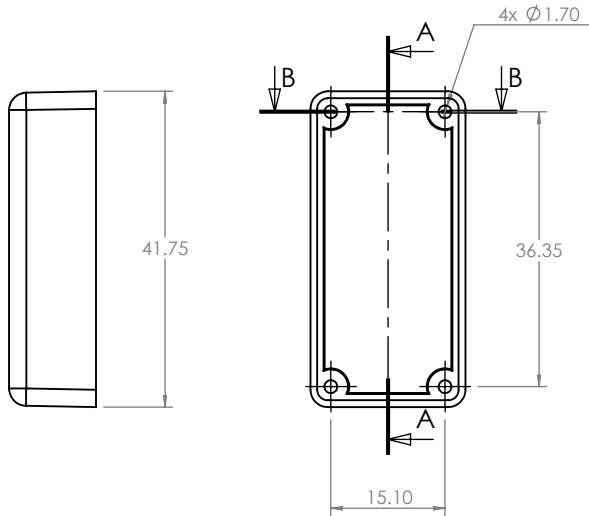
SELF TAPPING SCREW

LID

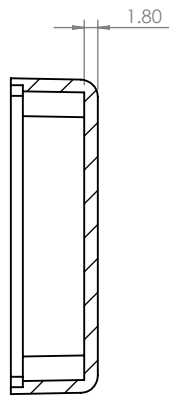
BASE



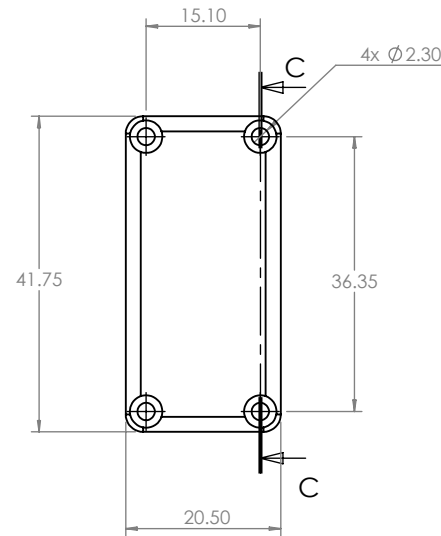
ISO VIEW
1:1



BASE





SECTION A-A



SECTION C-C

LID

 CAMDENBOSS JAMES CARTER RD, MILDENHALL, SUFFOLK, IP28 7DE TEL: 01 638 716101 FAX: 01 638 716554 EMAIL: SALES@CAMDENBOSS.COM WEB: www.CAMDENBOSS.COM				UNLESS OTHERWISE SPECIFIED: DIMENSIONS ARE IN MILLIMETERS		DO NOT SCALE DRAWING		REVISION. O		
				FINISH. LIGHT SPARK		TITLE: ASSEMBLY DRG FOR RX2KL04				
DRAWN S.HARDINGE		SIGNED SJH		DATE 12/03/07		MATERIAL. ABS		DWG NO. RX2KL04		A4
CHKD -		-		-		PROJECTION. 		SCALE. 1 : 1		SHEET 1 OF 1