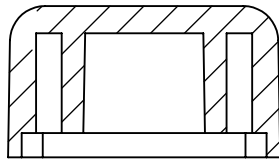


OVERALL ASSEMBLY DIMENSIONS:

EXTRENAL - 36.5 x 18 x 13

INTERNAL - 33 x 15 x 9



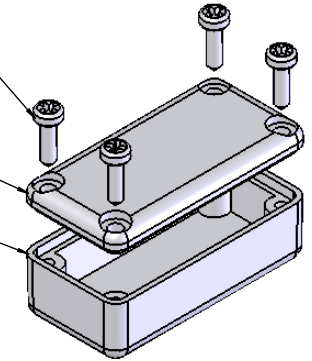
SECTION B-B



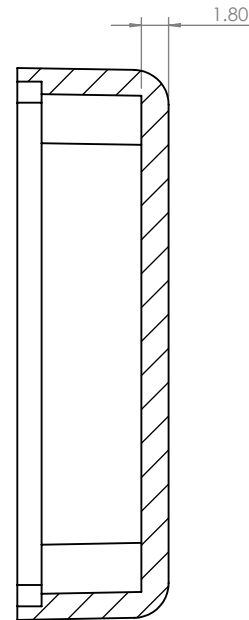
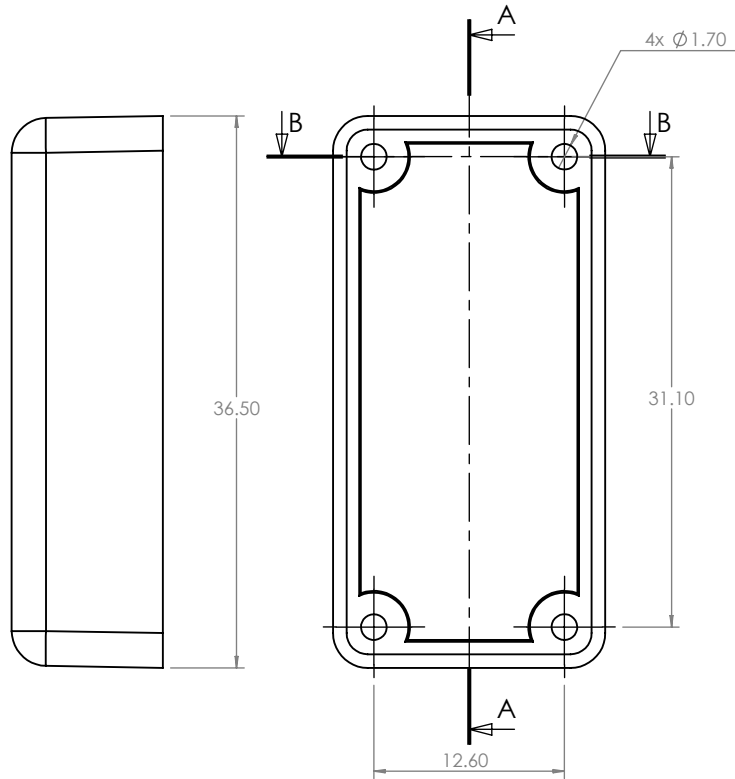
SELF TAPPING SCREW

LID

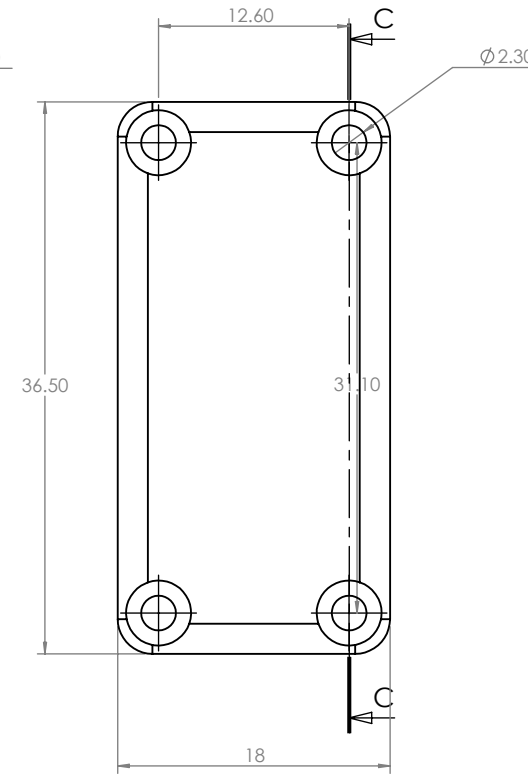
BASE



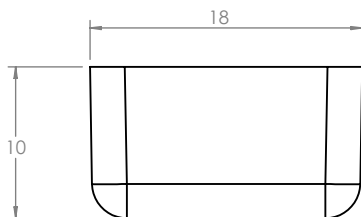
ISO VIEW
1:1





SECTION A-A



SECTION C-C



 CAMDENBOSS JAMES CARTER RD, MILDENHALL, SUFFOLK, IP28 7DE TEL: 01638 716101 FAX: 01638 716554 EMAIL: SALES@CAMDENBOSS.COM WEB: WWW.CAMDENBOSS.COM		UNLESS OTHERWISE SPECIFIED: DIMENSIONS ARE IN MILLIMETERS		DO NOT SCALE DRAWING	REVISION. 0
		FINISH. LIGHT SPARK		TITLE: ASSEMBLY DRG FOR RX2KL03	
DRAWN	NAME S.HARDINGE	SIGNED SJH	DATE 07/03/07	MATERIAL. ABS	DWG NO. RX2KL03
CHKD	-	-	-	PROJECTION. 	SCALE: 2 : 1
					A4
					SHEET 1 OF 1