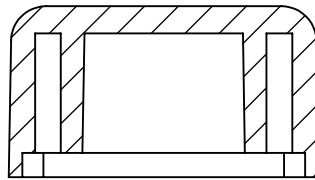


OVERALL ASSEMBLY DIMENSIONS:

EXTERNAL - 29 x 20.5 x 14.3

INTERNAL - 25.5 x 17 x 10.3



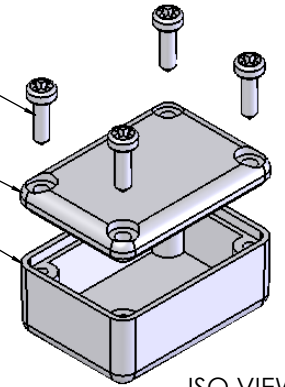
SECTION B-B



SELF TAPPING SCREW

LID

BASE



ISO VIEW
1:1

A

A

B

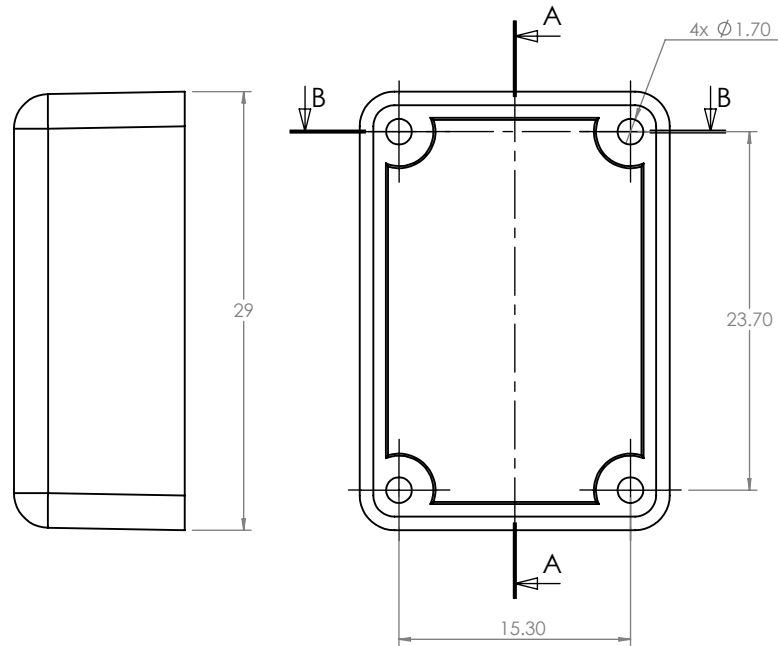
B

C

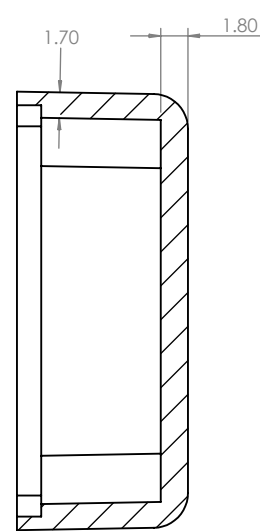
C

D

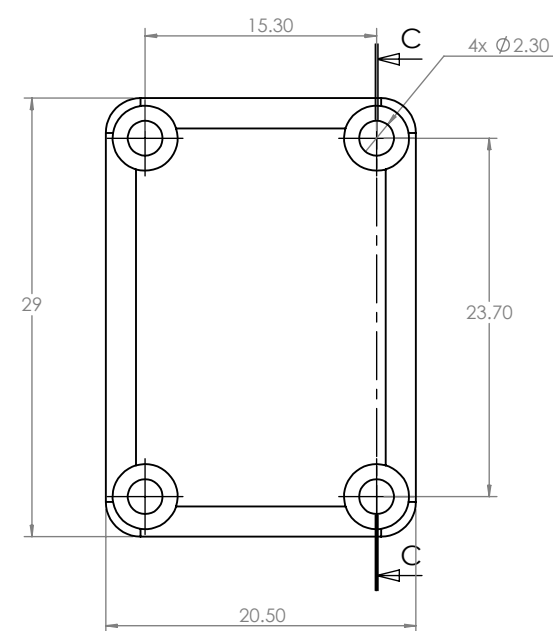
D



BASE

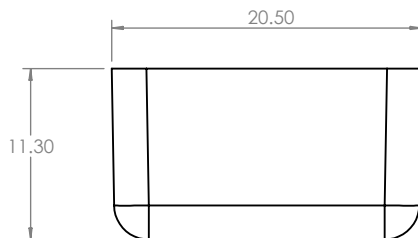




SECTION A-A



LID

SECTION C-C



 CAMDENBOSS JAMES CARTER RD, MILDENHALL, SUFFOLK, IP28 7DE TEL: 01 638 716101 FAX: 01 638 716554 EMAIL: SALES@CAMDENBOSS.COM WEB: www.CAMDENBOSS.COM		UNLESS OTHERWISE SPECIFIED: DIMENSIONS ARE IN MILLIMETERS		DO NOT SCALE DRAWING		REVISION. 0					
		FINISH. LIGHT SPARK		TITLE: ASSEMBLY DRG FOR RX2004							
DRAWN S.HARDINGE		SIGNED SJH		DATE 30/11/05		MATERIAL. ABS		DWG NO. RX2004		A4	
CHKD -		-		-		PROJECTION. 		SCALE. 2 : 1		SHEET 1 OF 1	

1

2

3