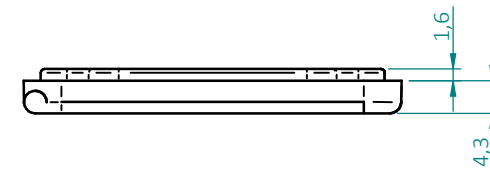
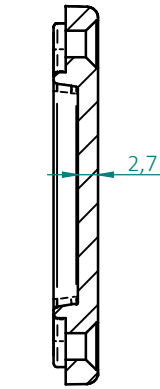
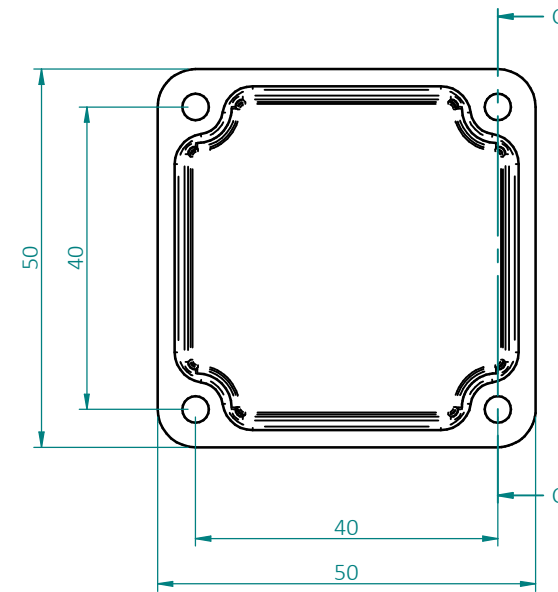
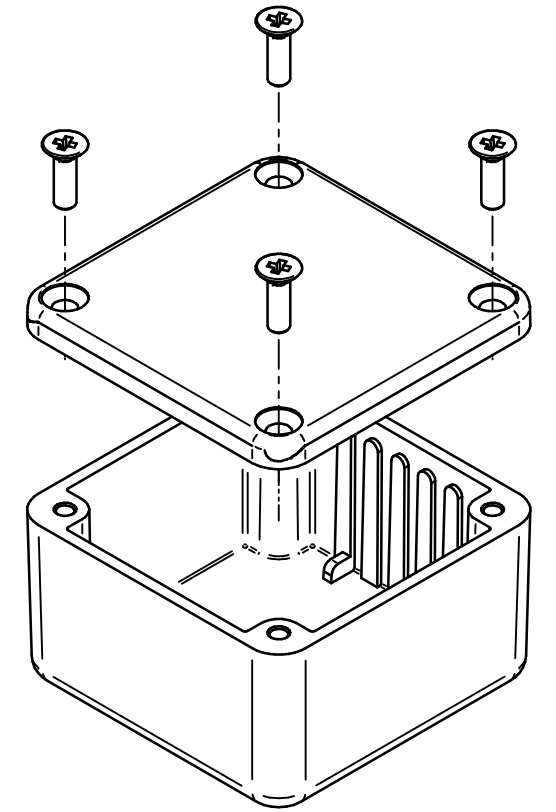
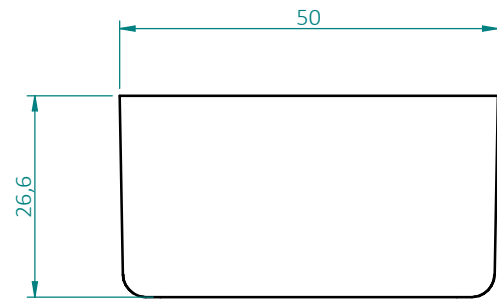
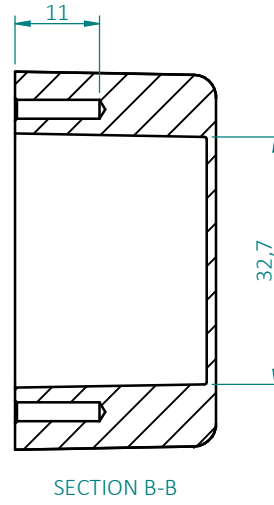
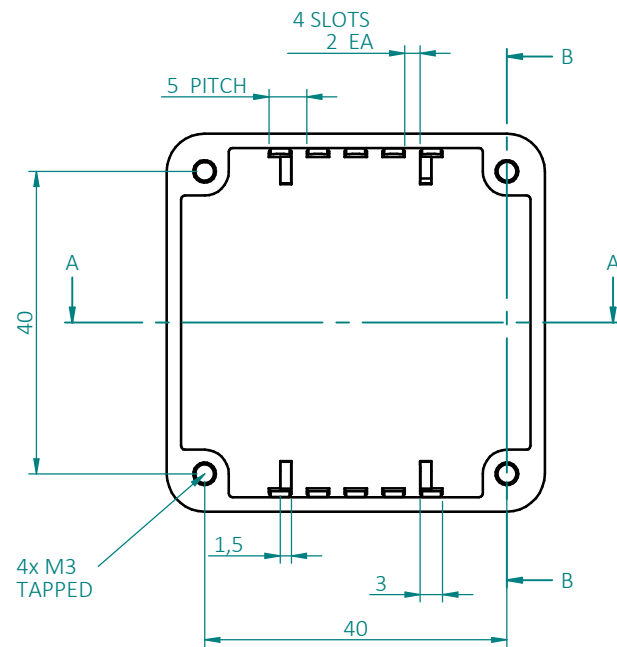
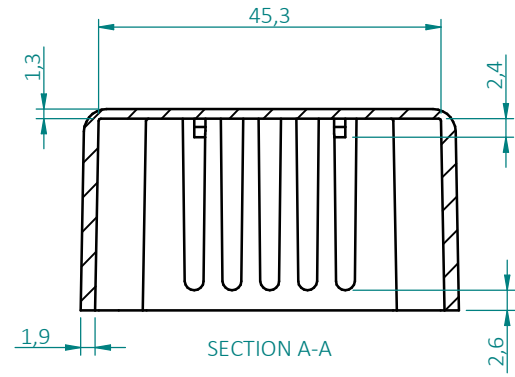


OVERALL ASSEMBLY DIMENSIONS:

EXTERNAL - 50 x 50 x 30.9mm

INTERNAL - min. 45.3mm x min. 45.3mm x 26.9mm



REVISION	DATE	ECR	DESCRIPTION	NAME	CHK'D
-	-	-	-	-	-
A	24.02.21	000-848	DIMENSIONAL UPDATE FOLLOWING RETOOLING	S. HARDINGE	-
D	07.12.05	-	FIRST ISSUE	S. HARDINGE	-

CAMDENBOSS
CONNECT. ENCLOSE. INNOVATE.
www.CamdenBoss.com

DRAWING UNITS: MILLIMETERS
TOLERANCES: +/-0.2

PROJECTION

COLOUR:	NATURAL
FINISH:	CLEAN AND SMOOTH
MATERIAL:	DIE-CAST ALUMINIUM

DEBURR AND BREAK SHARP EDGES	DO NOT SCALE DRAWING	SCALE:	1:1
TITLE:		ASSEMBLY DRAWING FOR 5000 SERIES SIZE 1	
DWG NO.	5001/11	SHEET 1 OF 1	

A3