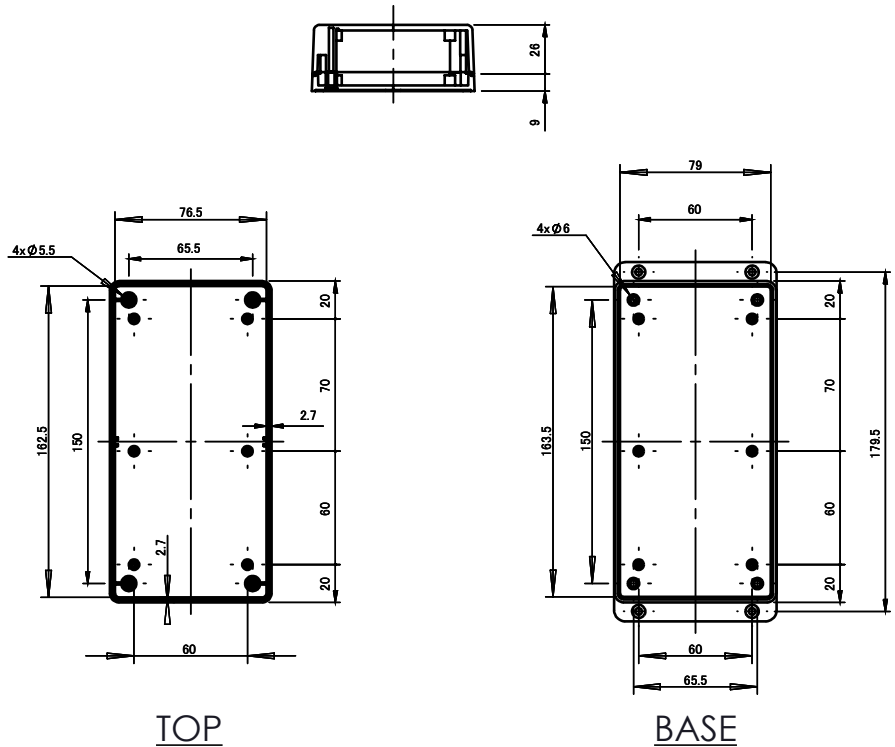
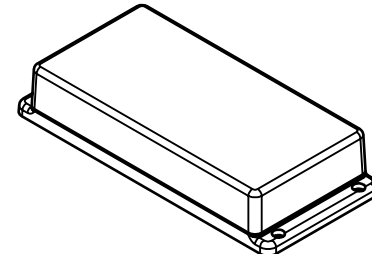




ISO VIEW  
1:4



TOP

BASE

 <b>CAMDENBOSS</b> JAMES CARTER RD, MILDENHALL, SUFFOLK. IP28 7DE TEL: 01638 716101 FAX: 01638 716554 EMAIL: Sales@CamdenBoss.com WEB: www.CamdenBoss.com		UNLESS OTHERWISE SPECIFIED: DIMENSIONS ARE IN MILLIMETERS		DO NOT SCALE DRAWING		REVISION. <input type="checkbox"/>	
		GENERAL TOLERANCES +/- 0.2		TITLE: <b>83 SERIES PLASTIC FLANGED CASES, DARK GREY, 190x86x35</b>			
		FINISH. FINE TEXTURE		MATERIAL. ABS UL94-V0		DWG NO. <b>CUE8315DG</b>	
DRAWN LEWIS LETCHFORD		SIGNED L.L.		DATE 11/02/2014		SCALE. 1:4	
CHKD -				PROJECTION. 		SHEET 1 OF 1	

A4