

1 2 3 4 5 6

A

A

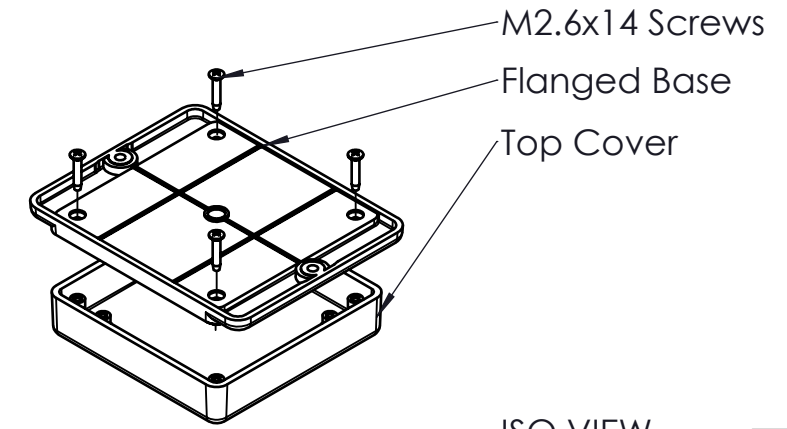
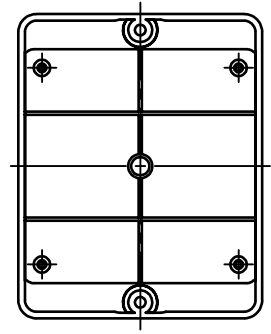
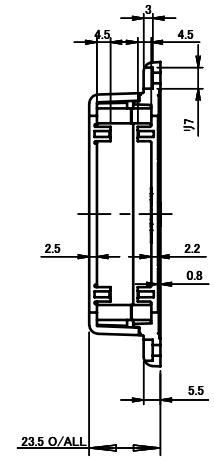
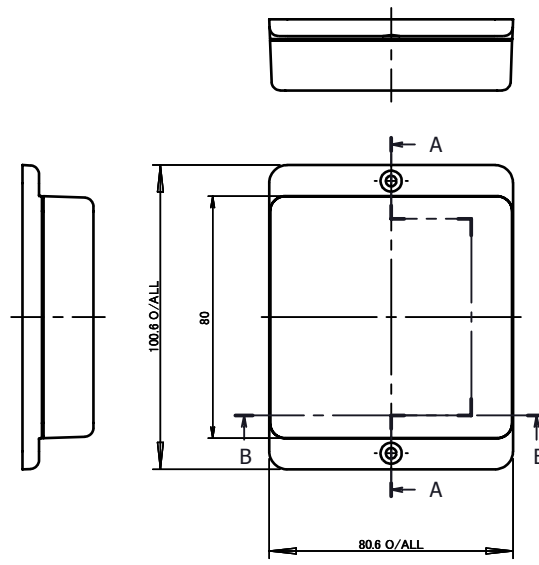
B

B

C

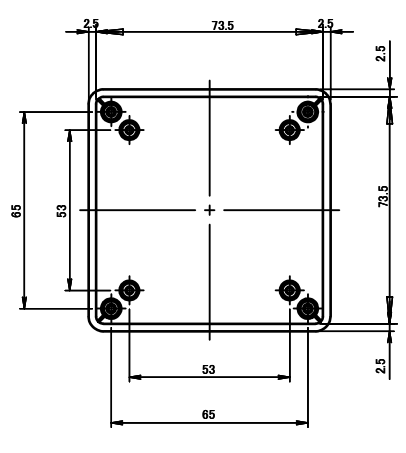
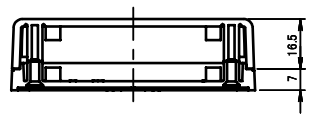
C

D

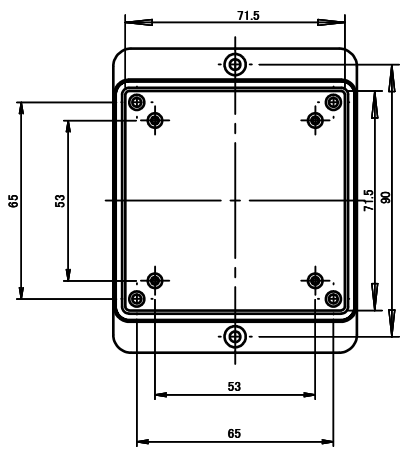


M2.6x14 Screws
Flanged Base
Top Cover

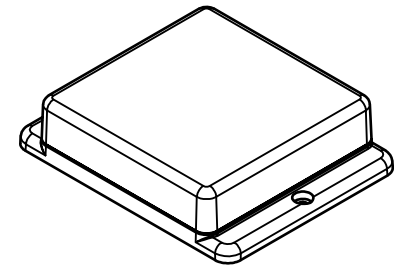
ISO VIEW
2:5





TOP



BASE



 CAMDENBOSS JAMES CARTER RD, MILDENHALL, SUFFOLK. IP28 7DE TEL: 01638 716101 FAX: 01638 716554 EMAIL: Sales@CamdenBoss.com WEB: www.CamdenBoss.com		UNLESS OTHERWISE SPECIFIED: DIMENSIONS ARE IN MILLIMETERS		DO NOT SCALE DRAWING		REVISION. ○	
		GENERAL TOLERANCES +/- 0.2		TITLE: 83 SERIES PLASTIC FLANGED CASES, WHITE, 100.6x80.6x23.5			
		FINISH. FINE TEXTURE		DWG NO. CUE8313WH		A4	
MATERIAL. ABS UL94-V0		NAME		SIGNED		DATE	
DRAWN LEWIS LETCHFORD		LL		11/02/2014		SCALE. 2:5	
CHK'D -		-		-		SHEET 1 OF 1	
PROJECTION.							

1 2 3