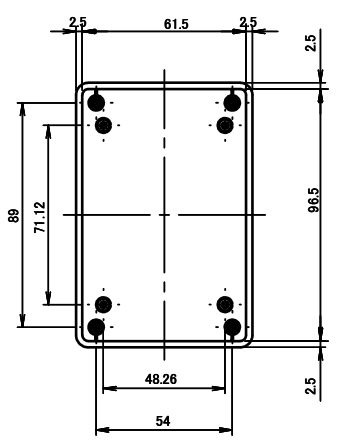
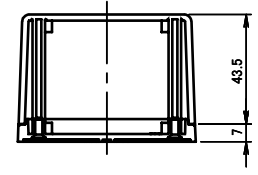
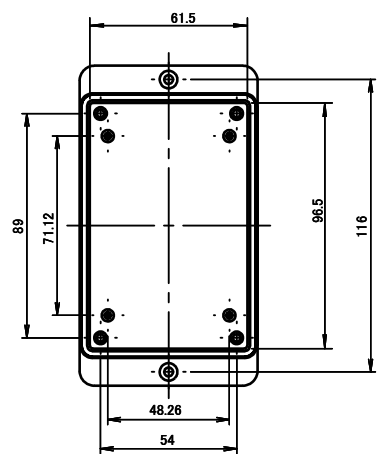


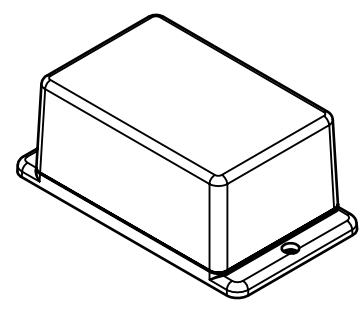
ISO VIEW
1:3





TOP



BASE



 CAMDENBOSS JAMES CARTER RD, MILDENHALL, SUFFOLK. IP28 7DE TEL: 01638 716101 FAX: 01638 716554 EMAIL: Sales@CamdenBoss.com WEB: www.CamdenBoss.com		UNLESS OTHERWISE SPECIFIED: DIMENSIONS ARE IN MILLIMETERS		DO NOT SCALE DRAWING		REVISION. <input type="checkbox"/>	
		GENERAL TOLERANCES +/- 0.2		TITLE: 83 SERIES PLASTIC FLANGED CASES, DARK GREY, 127x70.6x50.5			
DRAWN		NAME	SIGNED	DATE	MATERIAL.		DWG NO.
CHK'D	LEWIS LETCHFORD	L.L.	11/02/2014	ABS UL94-V0	CUE8310DG		A4
PROJECTION.				SCALE: 1:3	SHEET 1 OF 1		