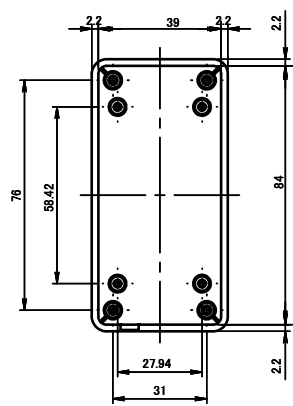
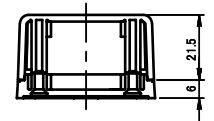
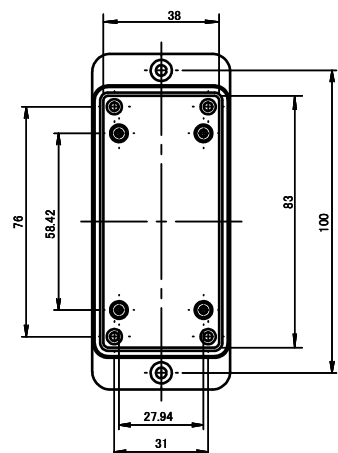


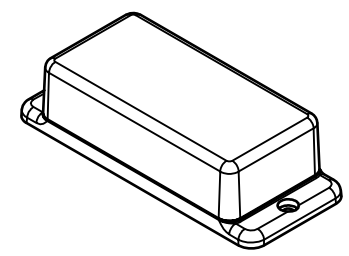
ISO VIEW
2:5




TOP



BASE



 CAMDENBOSS JAMES CARTER RD, MILDENHALL, SUFFOLK. IP28 7DE TEL: 01638 716101 FAX: 01638 716554 EMAIL: Sales@CamdenBoss.com WEB: www.CamdenBoss.com		UNLESS OTHERWISE SPECIFIED: DIMENSIONS ARE IN MILLIMETERS	DO NOT SCALE DRAWING	REVISION. <input type="checkbox"/>
		GENERAL TOLERANCES +/- 0.2	TITLE: 83 SERIES PLASTIC FLANGED CASES, DARK GREY, 111x45.6x27.5	
		FINISH. FINE TEXTURE	DWG NO. CUE8307DG	A4
DRAWN	LEWIS LETCHFORD	SIGNED	LL	DATE
CHK'D	-	-	-	-
		MATERIAL. ABS UL94-V0	SCALE. 2:5	SHEET 1 OF 1
		PROJECTION. 