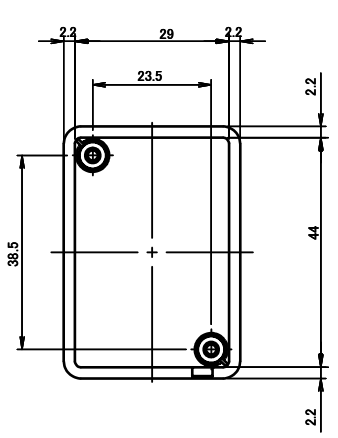
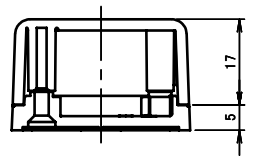
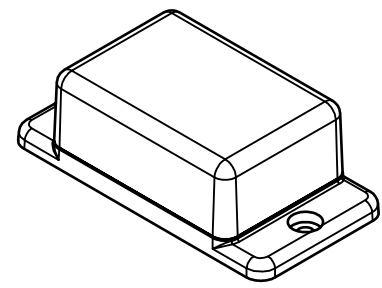
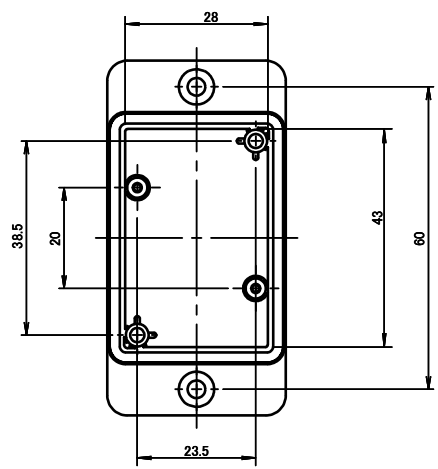


ISO VIEW
2:3



TOP



BASE

<p>CAMDENBOSS JAMES CARTER RD, MILDENHALL, SUFFOLK. IP28 7DE TEL: 01638 716101 FAX: 01638 716554 EMAIL: Sales@CamdenBoss.com WEB: www.CamdenBoss.com</p>		UNLESS OTHERWISE SPECIFIED: DIMENSIONS ARE IN MILLIMETERS		DO NOT SCALE DRAWING		REVISION. ○	
		GENERAL TOLERANCES +/- 0.2		TITLE: 83 SERIES PLASTIC FLANGED CASES, DARK GREY, 70.4x35.4x22			
		FINISH. FINE TEXTURE		MATERIAL. ABS UL94-V0		DWG NO. CUE8301DG	
DRAWN LEWIS LETCHFORD		SIGNED L.L.		DATE 29/01/2014		SCALE. 2:3	
CHKD -				PROJECTION.		SHEET 1 OF 1	

A4