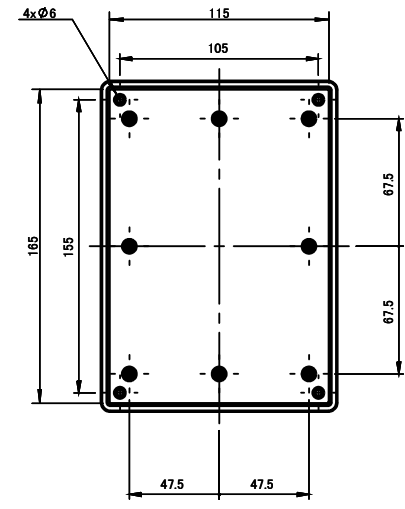
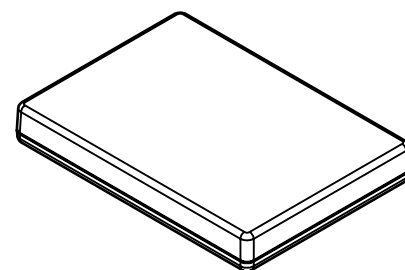
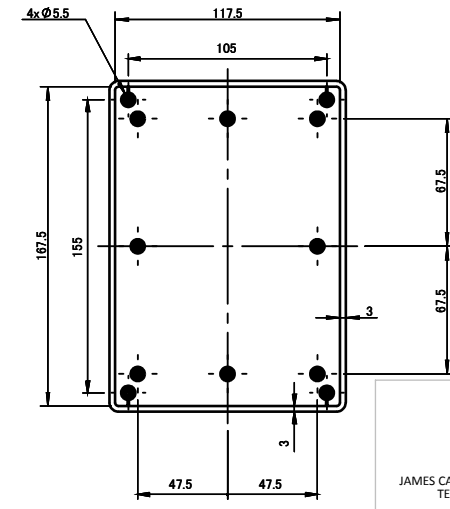




ISO VIEW
1:4



TOP



BASE

 CAMDENBOSS JAMES CARTER RD, MILDENHALL, SUFFOLK. IP28 7DE TEL: 01638 716101 FAX: 01638 716554 EMAIL: Sales@CamdenBoss.com WEB: www.CamdenBoss.com		UNLESS OTHERWISE SPECIFIED: DIMENSIONS ARE IN MILLIMETERS	DO NOT SCALE DRAWING	REVISION. ○
		GENERAL TOLERANCES +/- 0.2	TITLE: 82 SERIES MULTI-PURPOSE CASES, SIZE 21, BLACK, 175x125x25	
DRAWN LEWIS LETCHFORD		NAME	SIGNED	DATE
CHK'D -		LL	-	10/01/14
MATERIAL. ABS UL94-HB		FINISH. FINE TEXTURE		DWG NO. CUE8221BK
PROJECTION. 		SCALE: 1:4		SHEET 1 OF 1

A4