

1 2 3 4 5 6

A

A

B

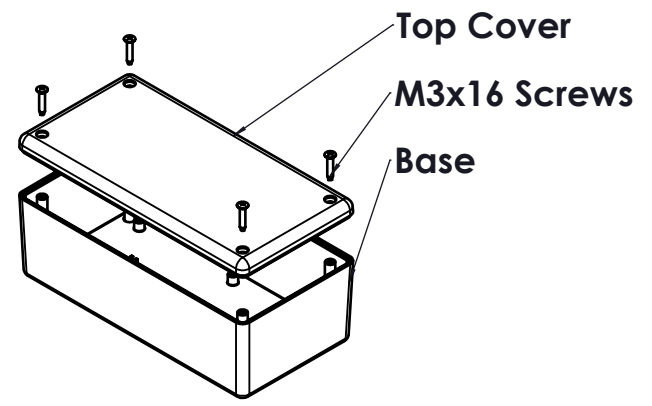
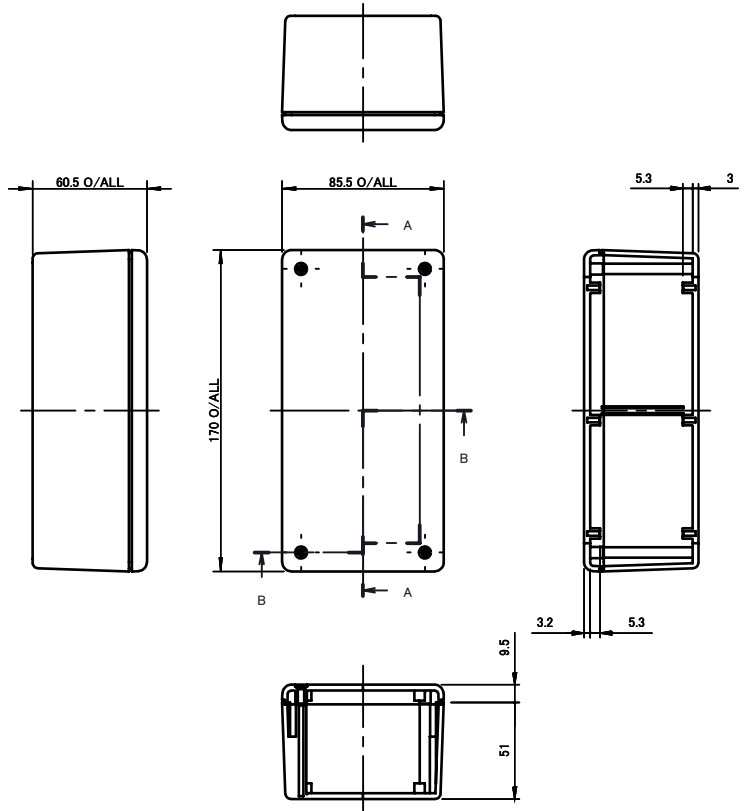
B

C

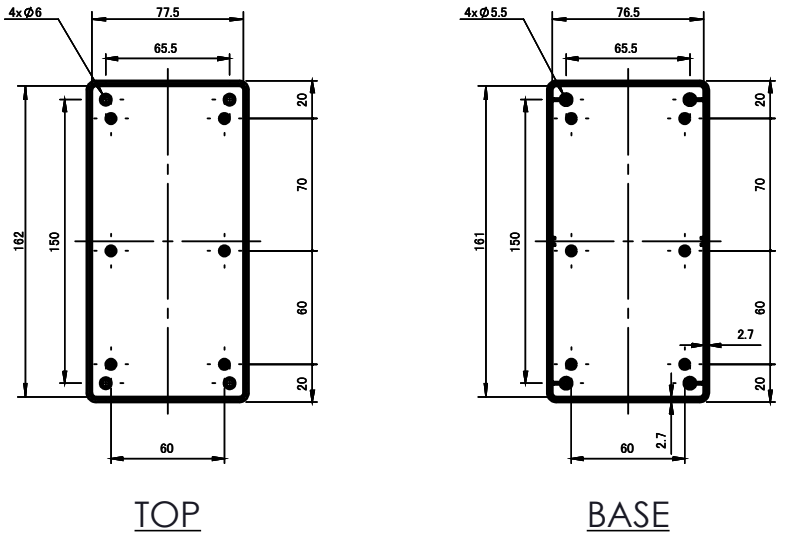
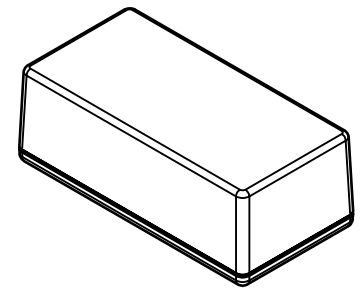
C

D

D





ISO VIEW
1:4



TOP

BASE

1 2 3 4 5 6

 CAMDENBOSS JAMES CARTER RD, MILDENHALL, SUFFOLK. IP28 7DE TEL: 01638 716101 FAX: 01638 716554 EMAIL: Sales@CamdenBoss.com WEB: www.CamdenBoss.com		UNLESS OTHERWISE SPECIFIED: DIMENSIONS ARE IN MILLIMETERS		DO NOT SCALE DRAWING		REVISION. ○	
		GENERAL TOLERANCES +/- 0.2		TITLE: 82 SERIES MULTI-PURPOSE CASES, SIZE 16, BLACK, 170x85.5x60.5			
		FINISH. FINE TEXTURE		MATERIAL. ABS UL94-HB		DWG NO. CUE8216BK	
DRAWN	LEWIS LETCHFORD	SIGNED	LL	DATE	10/01/14	A4	
CHK'D	-	-	-	PROJECTION.		SCALE: 1:4	SHEET 1 OF 1