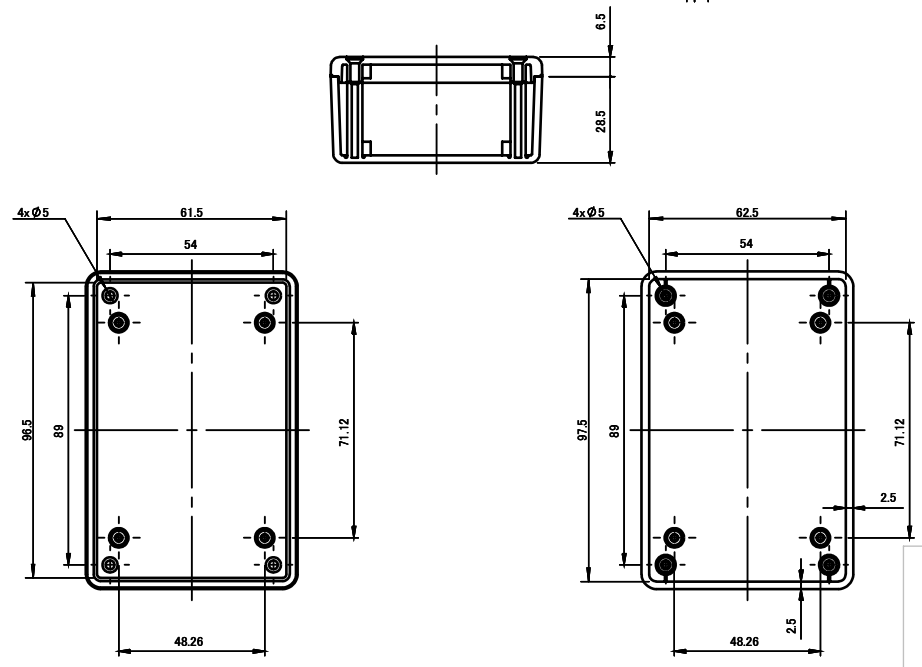
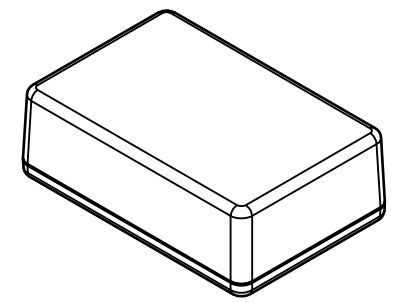



ISO VIEW
2:5



TOP

BASE

 CAMDENBOSS JAMES CARTER RD, MILDENHALL, SUFFOLK. IP28 7DE TEL: 01638 716101 FAX: 01638 716554 EMAIL: Sales@CamdenBoss.com WEB: www.CamdenBoss.com		UNLESS OTHERWISE SPECIFIED: DIMENSIONS ARE IN MILLIMETERS		DO NOT SCALE DRAWING		REVISION. <input type="checkbox"/>	
		GENERAL TOLERANCES +/- 0.2		TITLE: 82 SERIES MULTI-PURPOSE CASES, SIZE 9, BLACK, 105x70x35			
		FINISH. FINE TEXTURE		MATERIAL. ABS UL94-HB		DWG NO. CUE8209BK	
DRAWN LEWIS LETCHFORD		SIGNED L.L.		DATE 09/01/14		SCALE. 2:5	
CHK'D -		-		-		SHEET 1 OF 1	

A4