

1 2 3 4 5 6

A

B

C

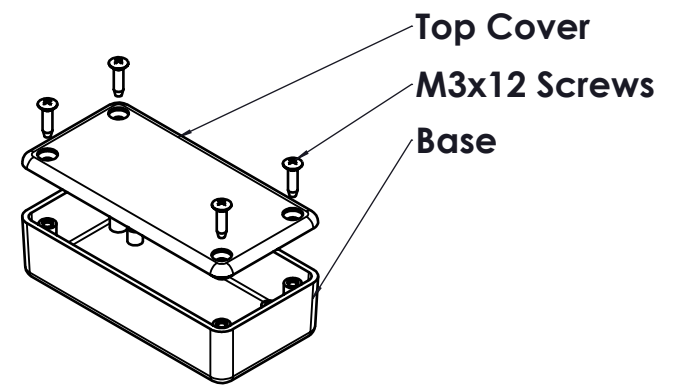
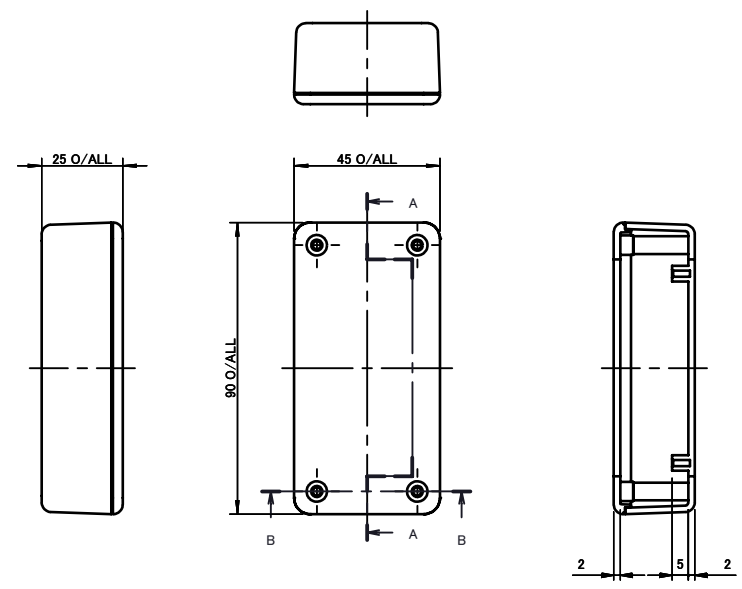
D

A

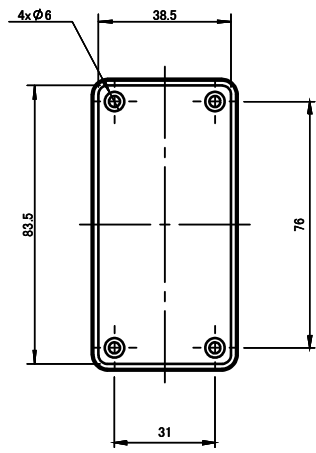
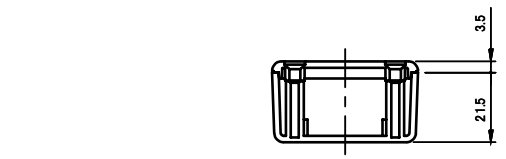
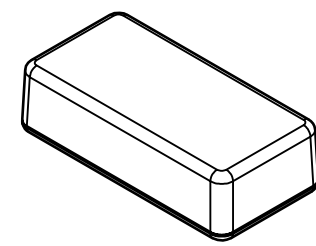
B

C

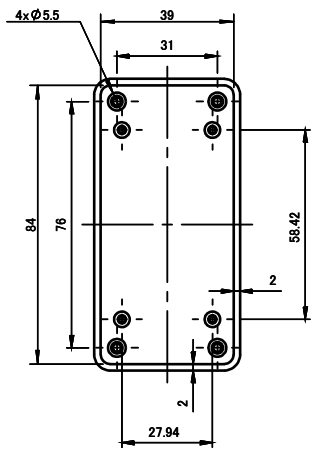
D





ISO VIEW
3:7



TOP



BASE

 CAMDENBOSS JAMES CARTER RD, MILDENHALL, SUFFOLK. IP28 7DE TEL: 01638 716101 FAX: 01638 716554 EMAIL: Sales@CamdenBoss.com WEB: www.CamdenBoss.com				UNLESS OTHERWISE SPECIFIED: DIMENSIONS ARE IN MILLIMETERS		DO NOT SCALE DRAWING		REVISION. ○	
				GENERAL TOLERANCES +/- 0.2		TITLE: 82 SERIES MULTI-PURPOSE CASES, SIZE 7, BLACK, 90x45x25			
FINISH. FINE TEXTURE				MATERIAL. ABS UL94-HB		DWG NO. CUE8207BK		A4	
DRAWN	LEWIS LETCHFORD	LL	09/01/14	PROJECTION. 		SCALE: 3:7		SHEET 1 OF 1	
CHK'D	-	-	-						

1 2 3