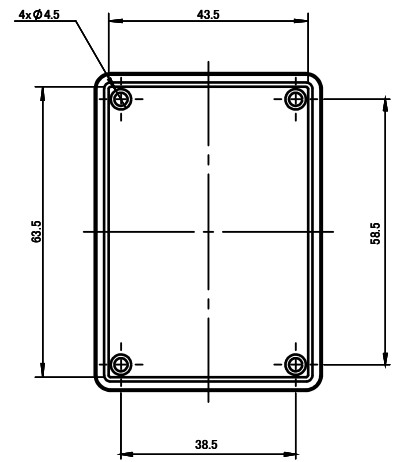
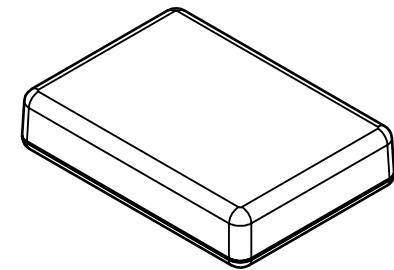
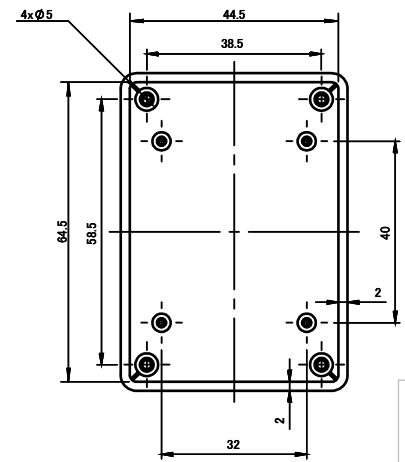




ISO VIEW  
3:5



TOP



BASE

 <b>CAMDENBOSS</b> JAMES CARTER RD, MILDENHALL, SUFFOLK. IP28 7DE TEL: 01638 716101 FAX: 01638 716554 EMAIL: Sales@CamdenBoss.com WEB: www.CamdenBoss.com				UNLESS OTHERWISE SPECIFIED: DIMENSIONS ARE IN MILLIMETERS		DO NOT SCALE DRAWING		REVISION. <input type="checkbox"/>	
				GENERAL TOLERANCES +/- 0.2		TITLE: 82 SERIES MULTI-PURPOSE CASES, SIZE 4, BLACK, 70x50x15			
				FINISH. FINE TEXTURE		DWG NO.		CUE8204BK	
				MATERIAL. ABS UL94-HB		SCALE: 3:5		SHEET 1 OF 1	
DRAWN	LEWIS LETCHFORD	L.L.	09/01/14	PROJECTION. 				A4	
CHK'D	-	-	-						