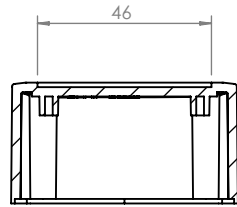


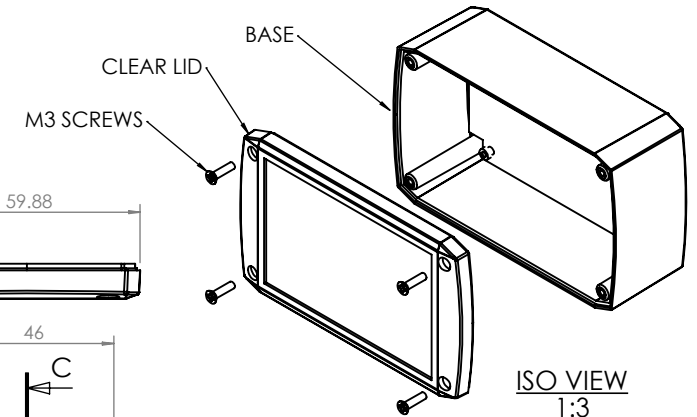
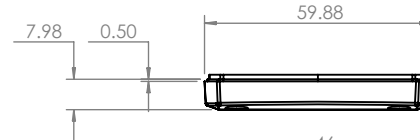
OVERALL ASSEMBLY DIMENSIONS:

EXTERNAL - 110 x 60 x 40

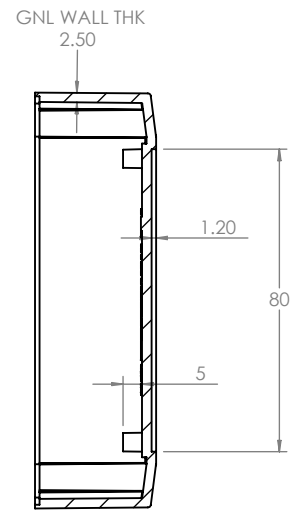
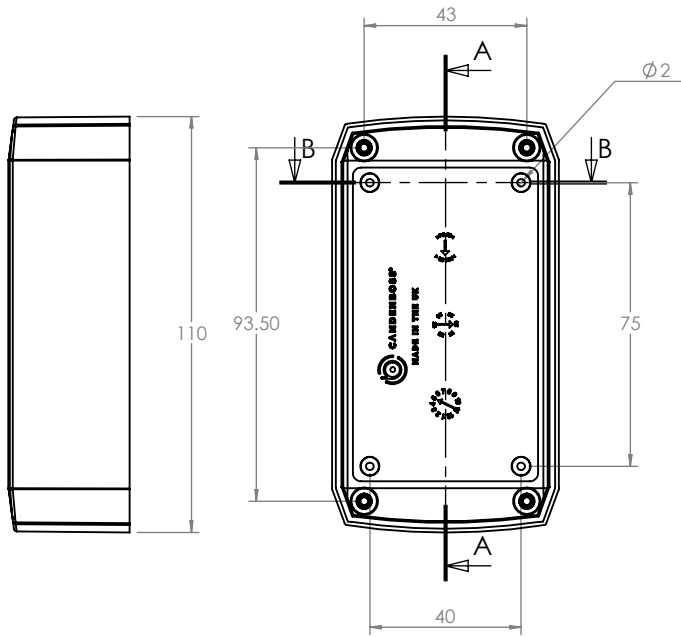
INTERNAL - 105 x 55 x 32.5



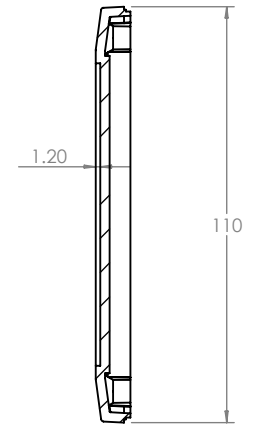
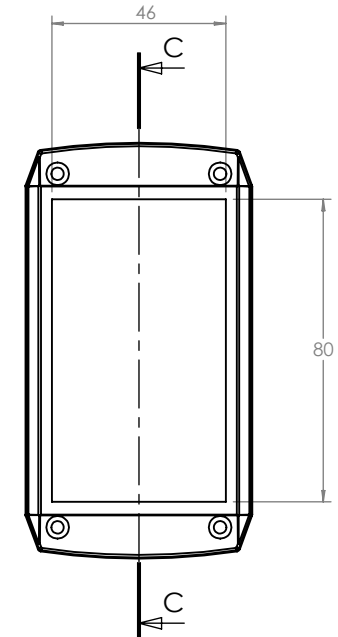
SECTION B-B



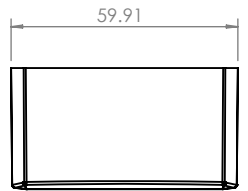
ISO VIEW  
1:3



SECTION A-A



SECTION C-C



**CAMDENBOSS**  
CONNECT. ENCLOSE. INNOVATE.

JAMES CARTER RD, MILDENHALL, SUFFOLK. IP28 7DE  
TEL: 01638 716101 FAX: 01638 716554  
EMAIL: Sales@CamdenBoss.com  
WEB: www.CamdenBoss.com

|  |                                 |
|--|---------------------------------|
| UNLESS OTHERWISE SPECIFIED:<br>DIMENSIONS ARE IN MILLIMETERS |                                 |
| FINISH.  | SMOOTH                          |
| COLOUR.  | BOX : RAL: 7047<br>LID : CLEAR  |
| MATERIAL.  | ABS UL 94 - V0<br>PC UL 94 - V0 |
| PROJECTION.  |                                 |

|                            |  |                      |
|----------------------------|--|----------------------|
| GENERAL TOLERANCES +/- 0.2 | REVISION.                                    | A                    |
| TITLE:                     | GNL ASSEMBLY DRG FOR 1101<br>SERIES SCATT002 |                      |
| DWG NO.                    | CSACTT002                                    | A4                   |
| SCALE: 1:2                 | SHEET 1 OF 1                                 | DO NOT SCALE DRAWING |

| REV | CHANGE NOTE                  | DATE     | BY       | ECR     |
|-----|------------------------------|----------|----------|---------|
| A   | CHANGED LOGO AND INSERT PINS | 10/06/20 | I.PAGANO | 000-756 |
|     | CHANGE NOTE                  |          |          |         |