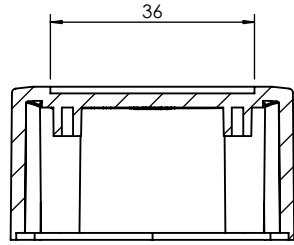


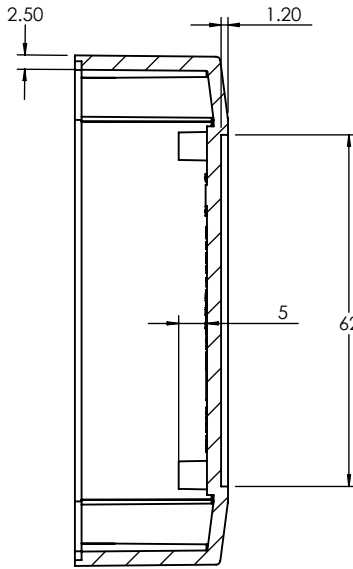
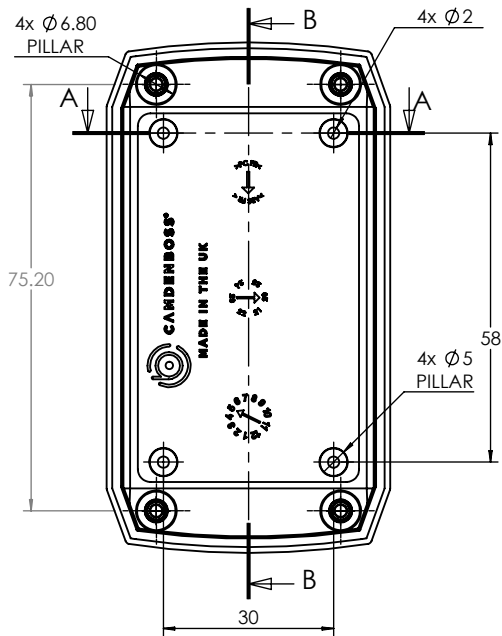
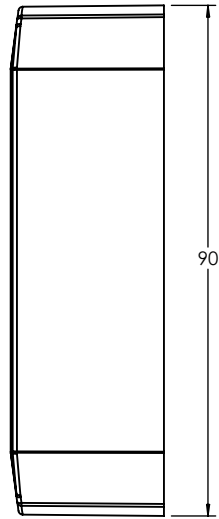
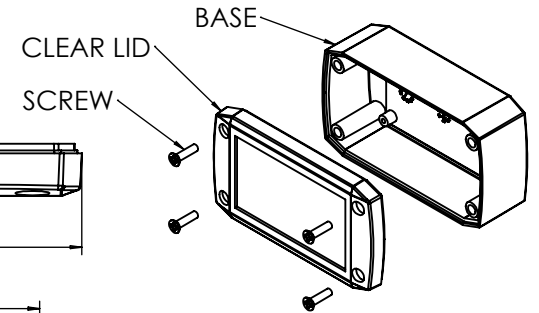
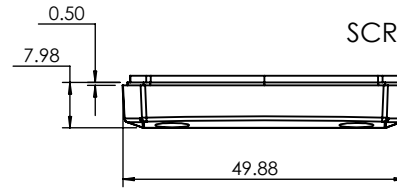
OVERALL ASSEMBLY DIMENSIONS:

EXTERNAL - 90 x 50 x 35

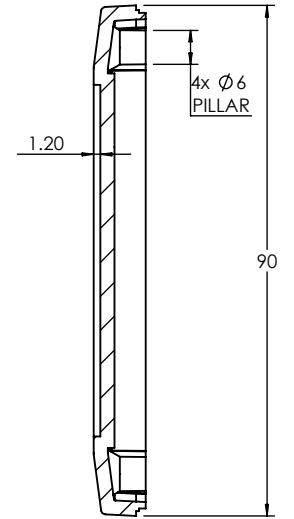
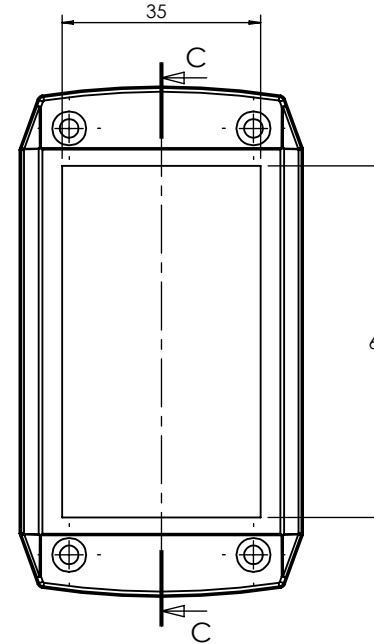
INTERNAL - 85 x 45 x 27.5



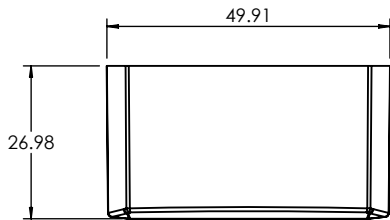
SECTION A-A



SECTION B-B



SECTION C-C



CAMDENBOSS
CONNECT. ENCLOSE. INNOVATE.

JAMES CARTER RD, MILDENHALL, SUFFOLK. IP28 7DE
TEL: 01638 716101 FAX: 01638 716554
EMAIL: Sales@CamdenBoss.com
WEB: www.CamdenBoss.com

UNLESS OTHERWISE SPECIFIED:
DIMENSIONS ARE IN MILLIMETERS

FINISH: FINE TEXTURE

COLOUR: BOX : RAL:7047
LID : CLEAR

MATERIAL: ABS UL 94 - V0
PC UL 94 - V0

PROJECTION:

GENERAL TOLERANCES +/- 0.2

REVISION: A

TITLE: GENERAL DIMENSION DRAWING
FOR 1100 SERIES

DWG NO.

CSACTT001

A4

SCALE: 1:1

SHEET 1 OF 1

DO NOT SCALE DRAWING

REV	CHANGE NOTE	DATE	BY	ECR
A	CHANGED LOGO AND INSERT PINS	10/06/20	I.PAGANO	000-756

DRAWN	NAME	SIGNED	DATE
CHKD	IAN PAGANO	I.P.	05/03/13