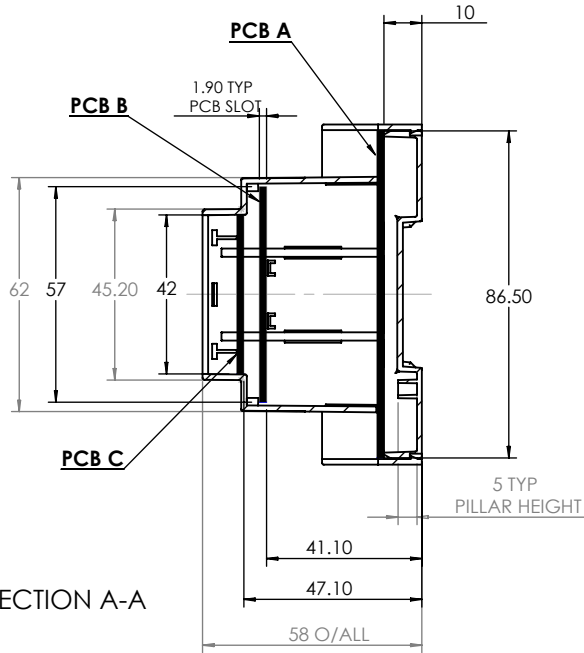
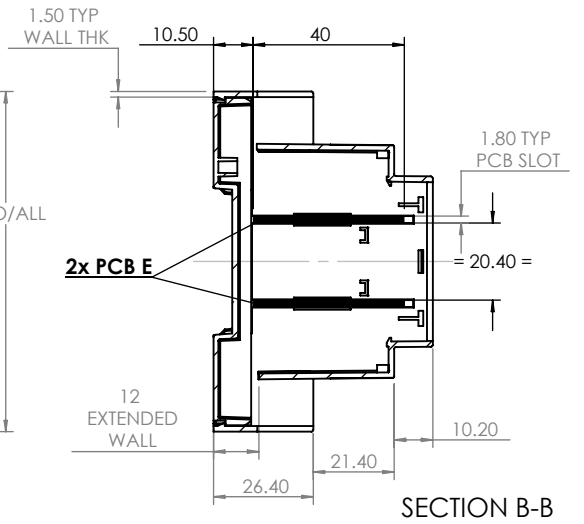
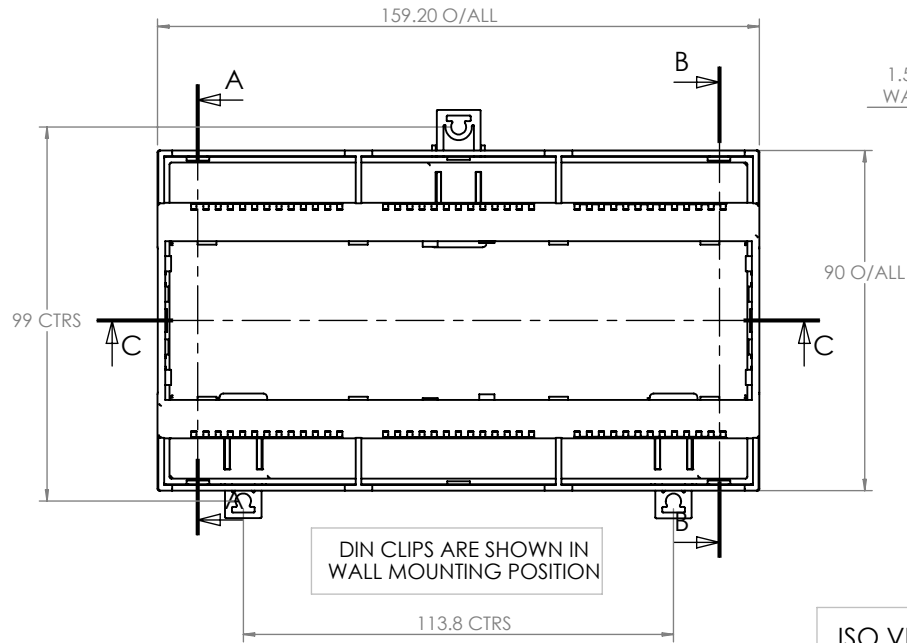


ASSEMBLY

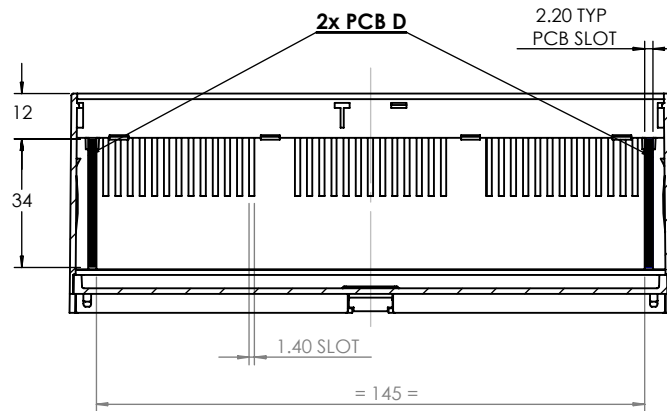
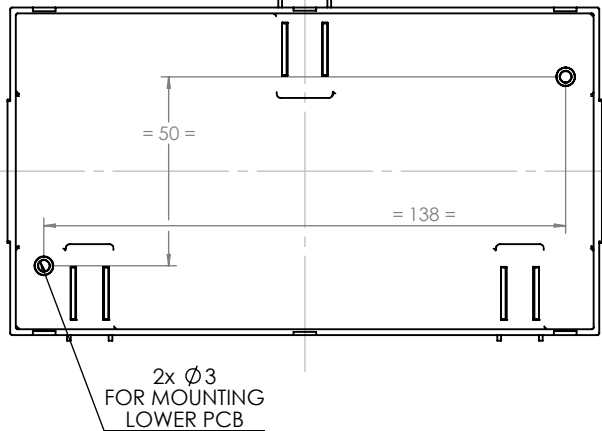


SECTION A-A



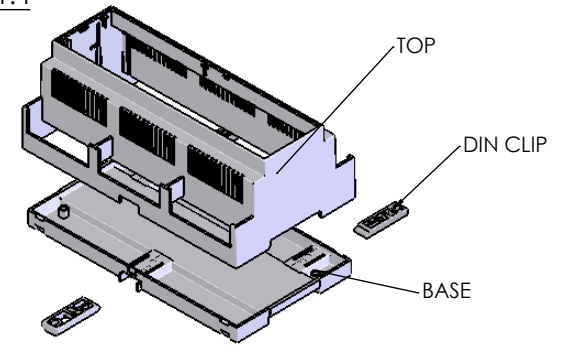
SECTION B-B

BASE



SECTION C-C

ISO VIEW
1:4



PCB DIMENSIONS (mm)	
A	86.5 x 155
B	57 x 155.4
C	42 x 154
D	34 x 59.6
E	40 x 155

<p>CAMDENBOSS JAMES CARTER RD, MILDENHALL, SUFFOLK. IP28 7DE TEL: 01638 716101 FAX: 01638 716554 EMAIL: Sales@CamdenBoss.com WEB: www.CamdenBoss.com</p>		UNLESS OTHERWISE SPECIFIED: DIMENSIONS ARE IN MILLIMETERS	DO NOT SCALE DRAWING	REVISION: 0
		GENERAL TOLERANCES +/- 0.2	TITLE: GNL ASSY DRG FOR CNMB SERIES	
FINISH: SMOOTH		MATERIAL: UV94-V0 PC	DWG NO. CNMB-9WV-2	A4
DRAWN: L. SUBKHANKULOVA LS 24/03/10	CHK'D: STUART HARDINGE SJH 24/03/10	PROJECTION:	SCALE: 1 : 2	SHEET 1 OF 1