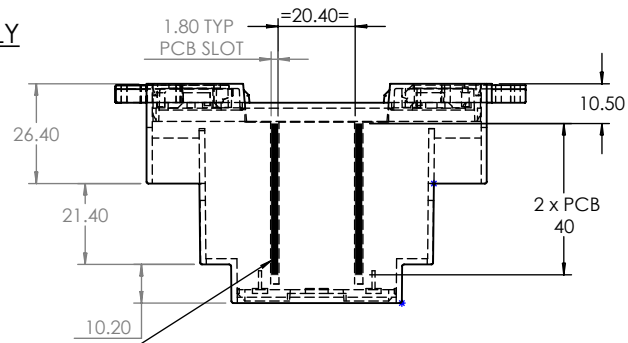
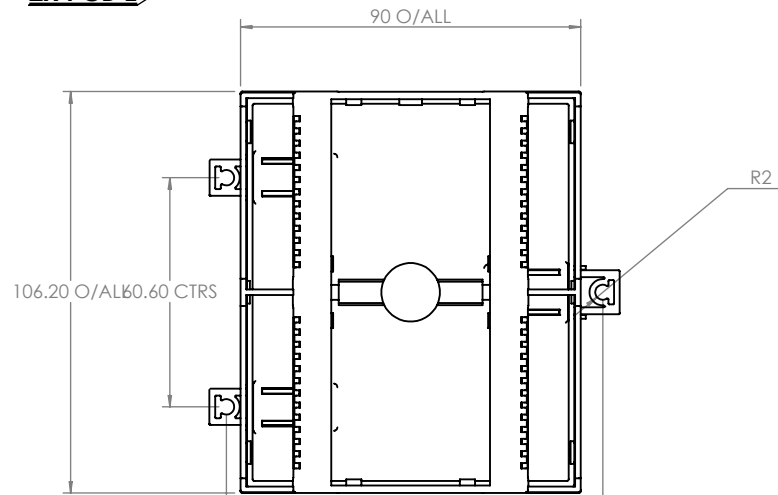


ASSEMBLY



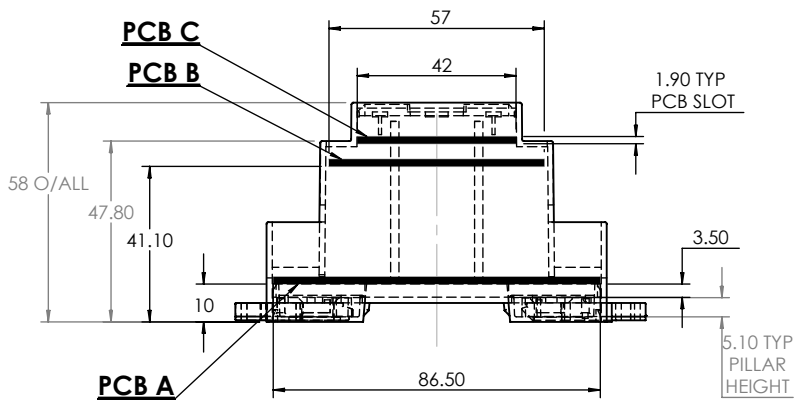
2x PCB E



DIN CLIPS ARE SHOWN IN WALL MOUNTING POSITION

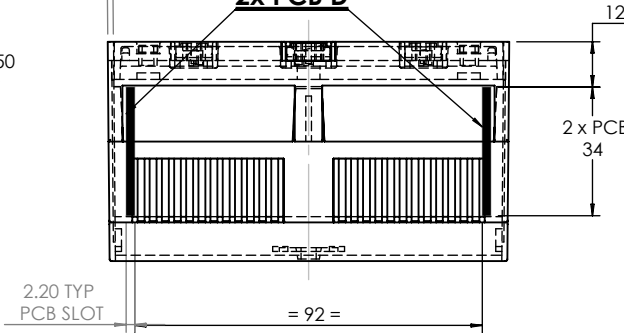
PCB C

PCB B



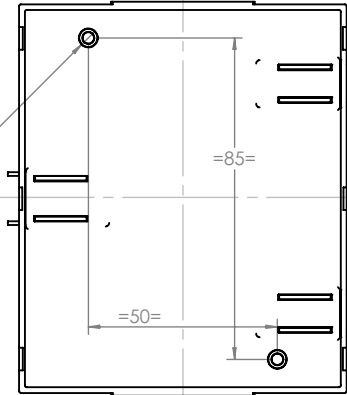
1.50 TYP WALL THK

2x PCB D

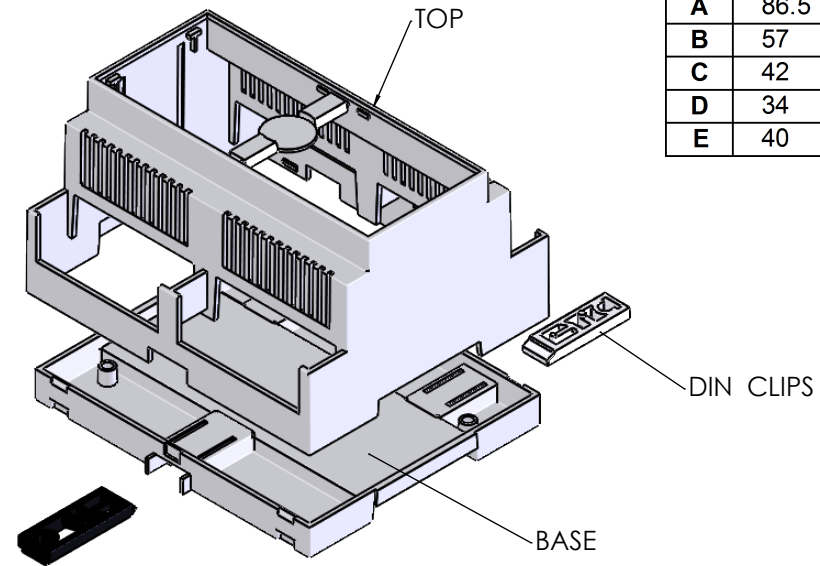


BASE

2x Ø 4.83 FOR MOUNTING LOWER PCB



ISO VIEW
1:2



PCB DIMENSIONS (mm)	
A	86.5 x 103
B	57 x 102
C	42 x 102
D	34 x 59.6
E	40 x 103

<p>JAMES CARTER RD, MILDENHALL, SUFFOLK. IP28 7DE TEL: 01638 716101 FAX: 01638 716554 EMAIL: Sales@CamdenBoss.com WEB: www.CamdenBoss.com</p>		UNLESS OTHERWISE SPECIFIED: DIMENSIONS ARE IN MILLIMETERS		DO NOT SCALE DRAWING		REVISION: 0	
		FINISH: SMOOTH		TITLE: GNL ASSY DRG FOR CNMB SERIES			
DRAWN: SUBKHANKULOVA LS		SIGNED: LS		DATE: 13/01/10		MATERIAL: UL94-V0 PC	
CHKD: STUART HARDINGE SJH		SIGNED: SJH		DATE: 13/01/10		DWG NO.: CNMB-6-2V	
		PROJECTION:		SCALE: 1:2		SHEET 1 OF 1	