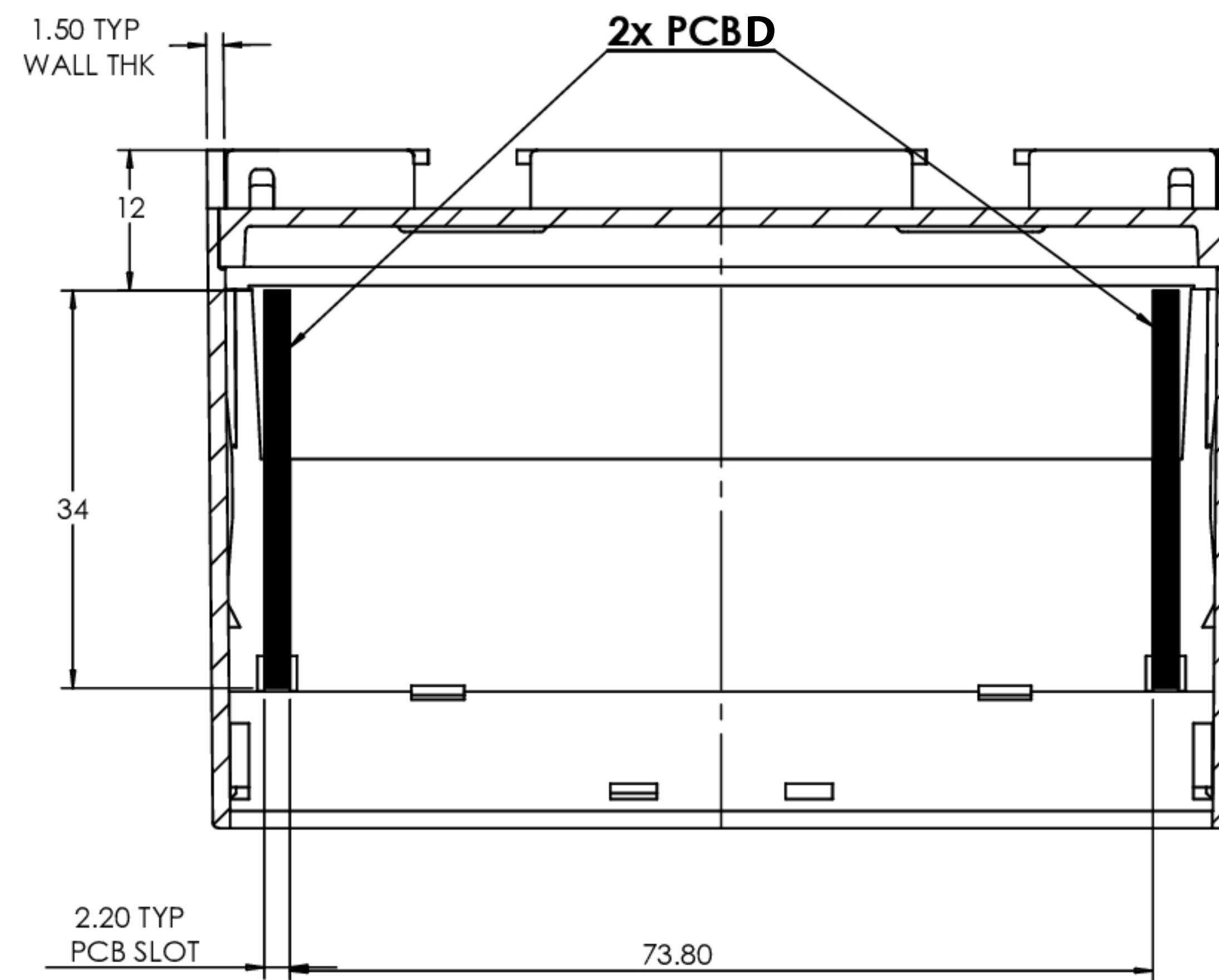
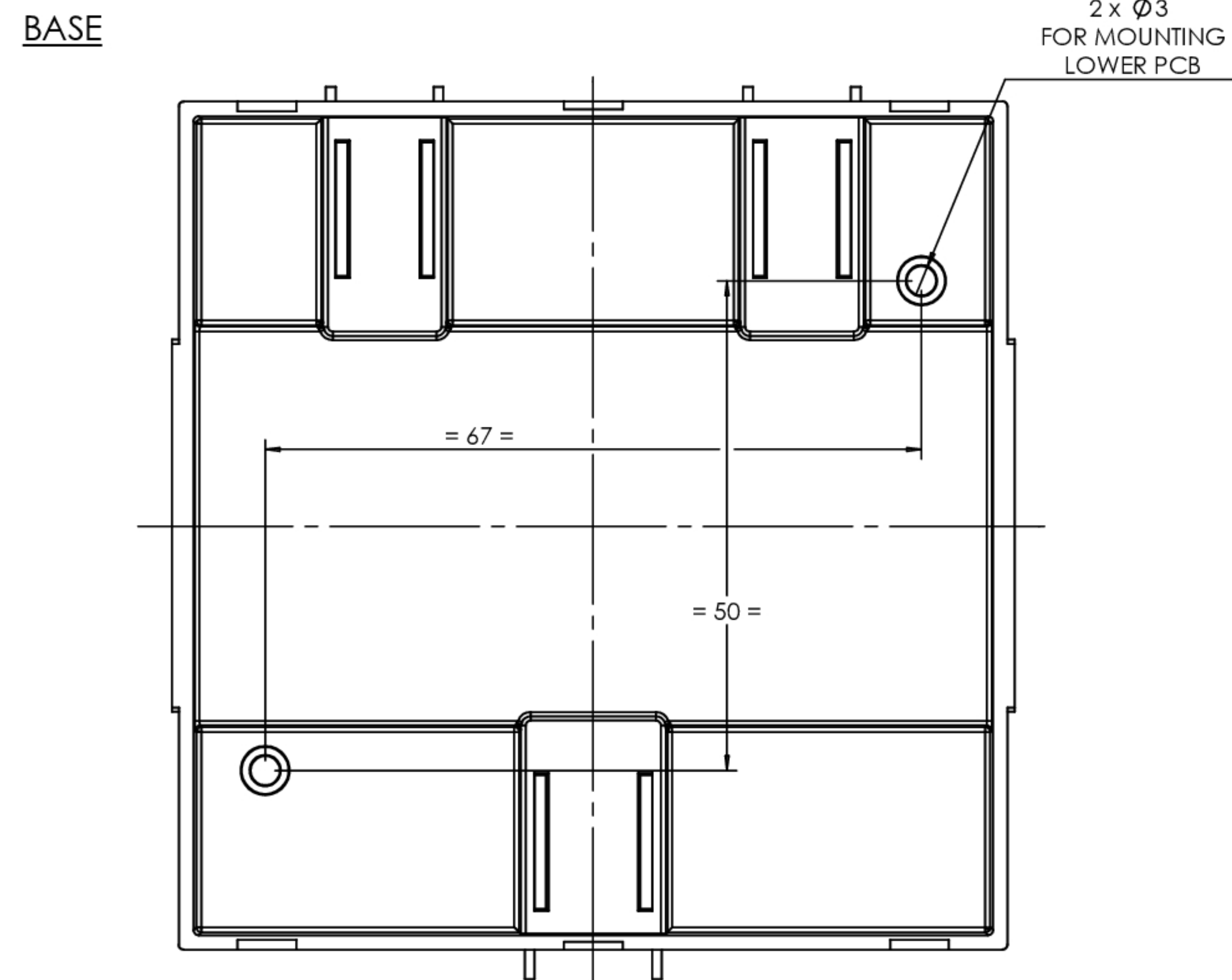
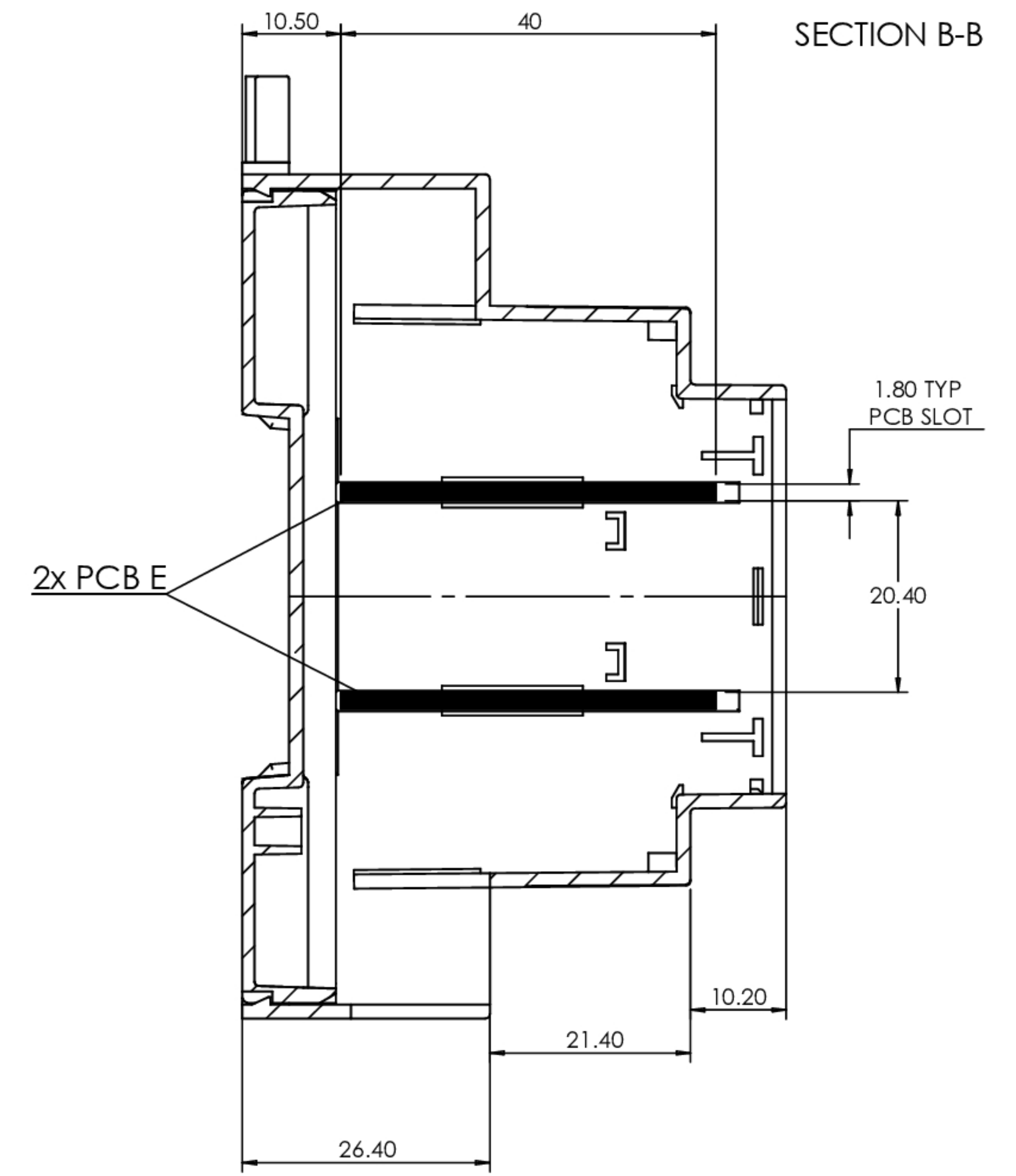
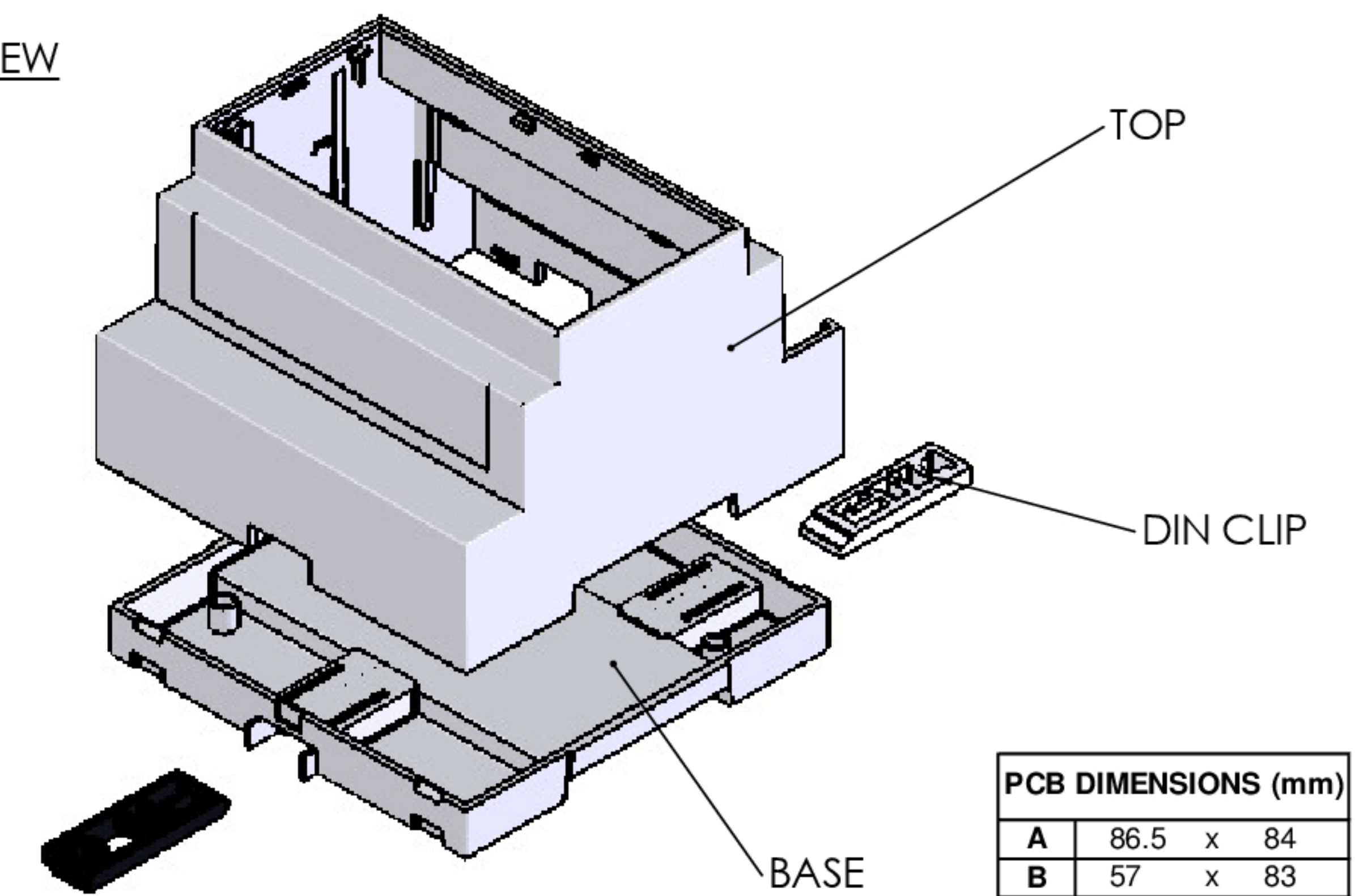


DIN CLIPS ARE SHOWN IN WALL MOUNTING POSITION



SECTION C-C

ISO VIEW  
1:2



PCB DIMENSIONS (mm)		
A	86.5	x 84
B	57	x 83
C	42	x 83
D	34	x 59.69
E	40	x 84

**CAMDENBOSS**  
 JAMES CARTER RD, MILDENHALL, SUFFOLK, IP28 7DE  
 TEL: 01638 716101 FAX: 01638 716554  
 EMAIL: Sales@CamdenBoss.com  
 WEB: www.CamdenBoss.com

NAME	SIGNATURE	DATE
DRAWN: L SUBKHANKULOVA	LS	18/01/10
CHK'D: STUART HARDINGE	SJH	18/01/10

UNLESS OTHERWISE SPECIFIED:  
DIMENSIONS ARE IN MILLIMETERS

FINISH: SMOOTH

MATERIAL: UV94-V0 PC

PROJECTION:

DO NOT SCALE DRAWING      REVISION: 0

TITLE: GNL ASSY DRG FOR CNMB SERIES

DWG NO. CNMB-5-1      A3

SCALE 1:1      SHEET 1 OF 1