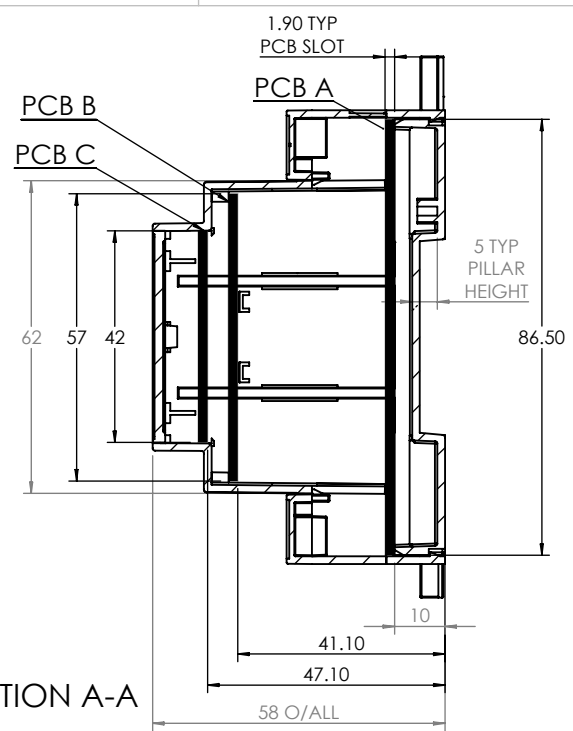
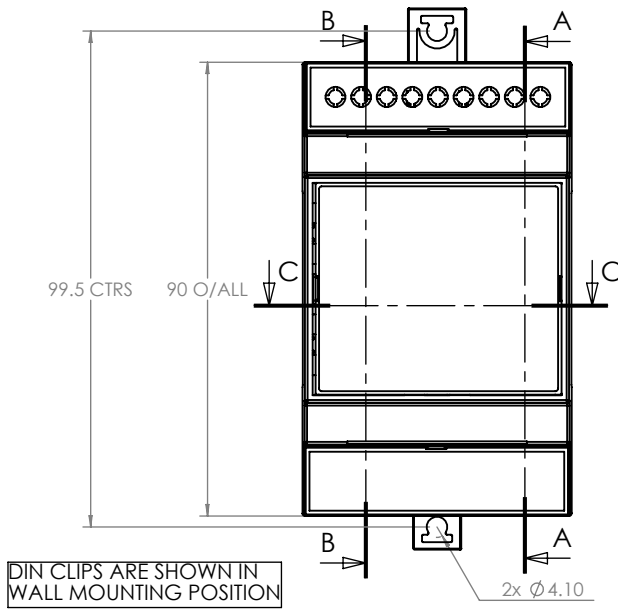


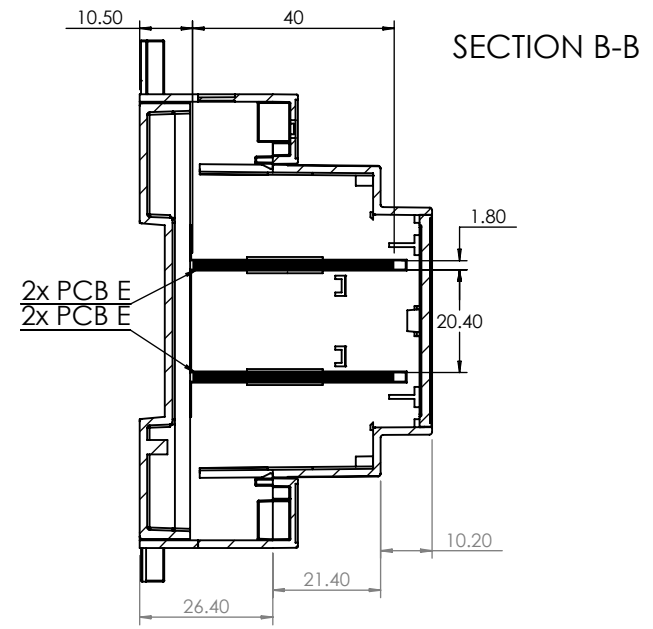
1 2 3 4 5 6



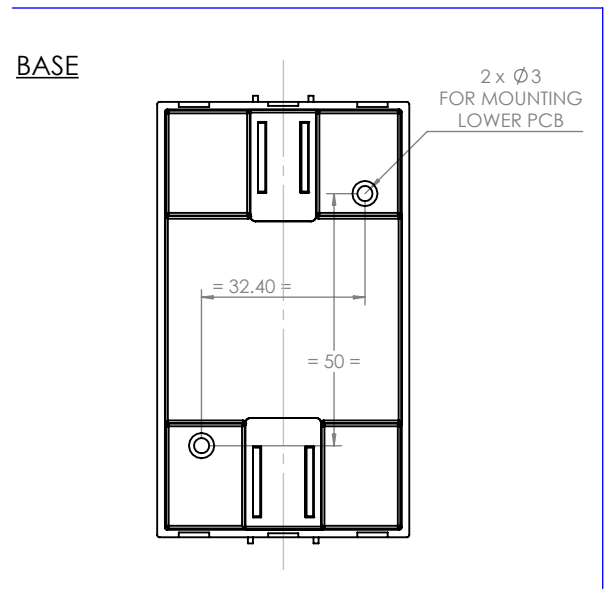
SECTION A-A



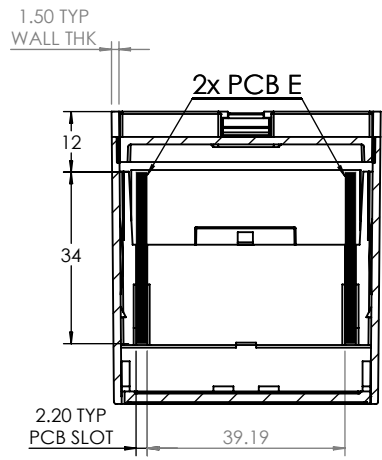
DIN CLIPS ARE SHOWN IN WALL MOUNTING POSITION



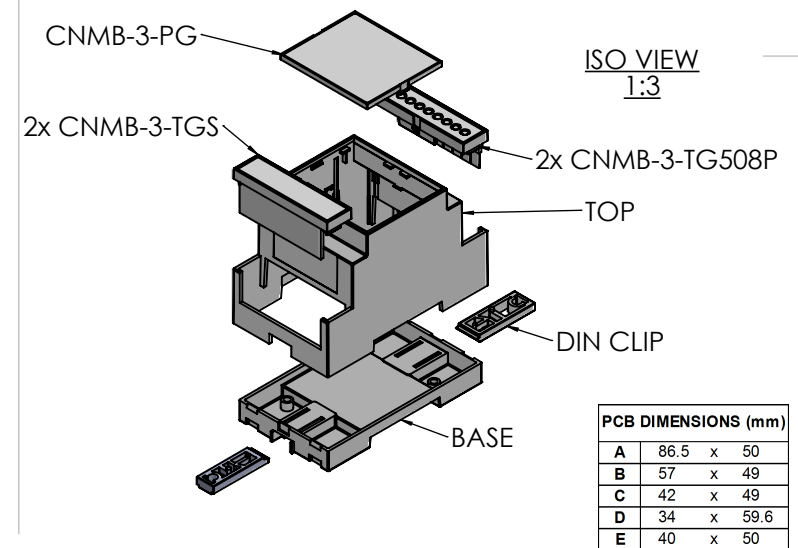
SECTION B-B



BASE



SECTION C-C



ISO VIEW
1:3

| PCB DIMENSIONS (mm) | | |
|---------------------|------|--------|
| A | 86.5 | x 50 |
| B | 57 | x 49 |
| C | 42 | x 49 |
| D | 34 | x 59.6 |
| E | 40 | x 50 |

| | | | | | |
|---|------|--------|--|--|---------------------------|
| <p>CAMDENBOSS JAMES CARTER RD, MILDENHALL, SUFFOLK. IP28 7DE TEL: 01638 716101 FAX: 01638 716554 EMAIL: Sales@CamdenBoss.com WEB: www.CamdenBoss.com</p> | | | UNLESS OTHERWISE SPECIFIED: DIMENSIONS ARE IN MILLIMETERS | DO NOT SCALE DRAWING | REVISION. 0 |
| | | | GENERAL TOLERANCES +/- 0.2 | TITLE: GNL ASSY DRG FOR CNMB SERIES | |
| DRAWN | NAME | SIGNED | DATE | MATERIAL. UL94-VO PC | DWG NO. CNMB-3-KIT |
| CHKD | - | - | - | PROJECTION. | SCALE: 1 : 2 |
| | | | | | SHEET 1 OF 1 |

1 2 3 4 5 6

A4