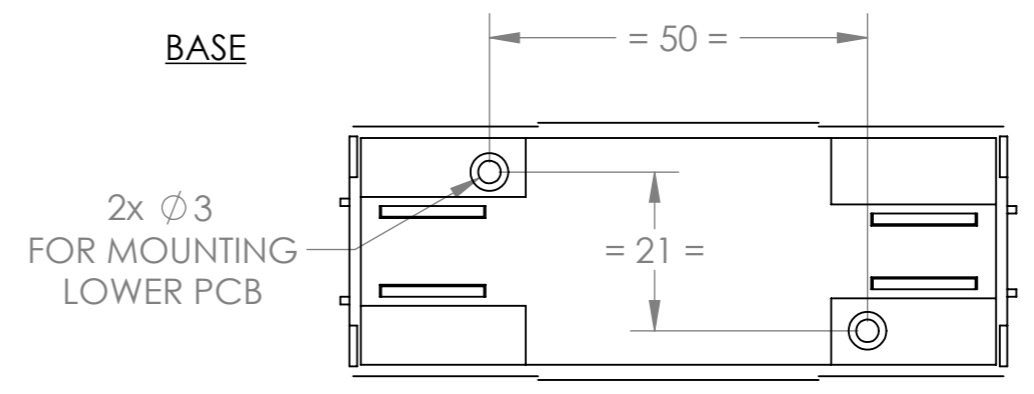
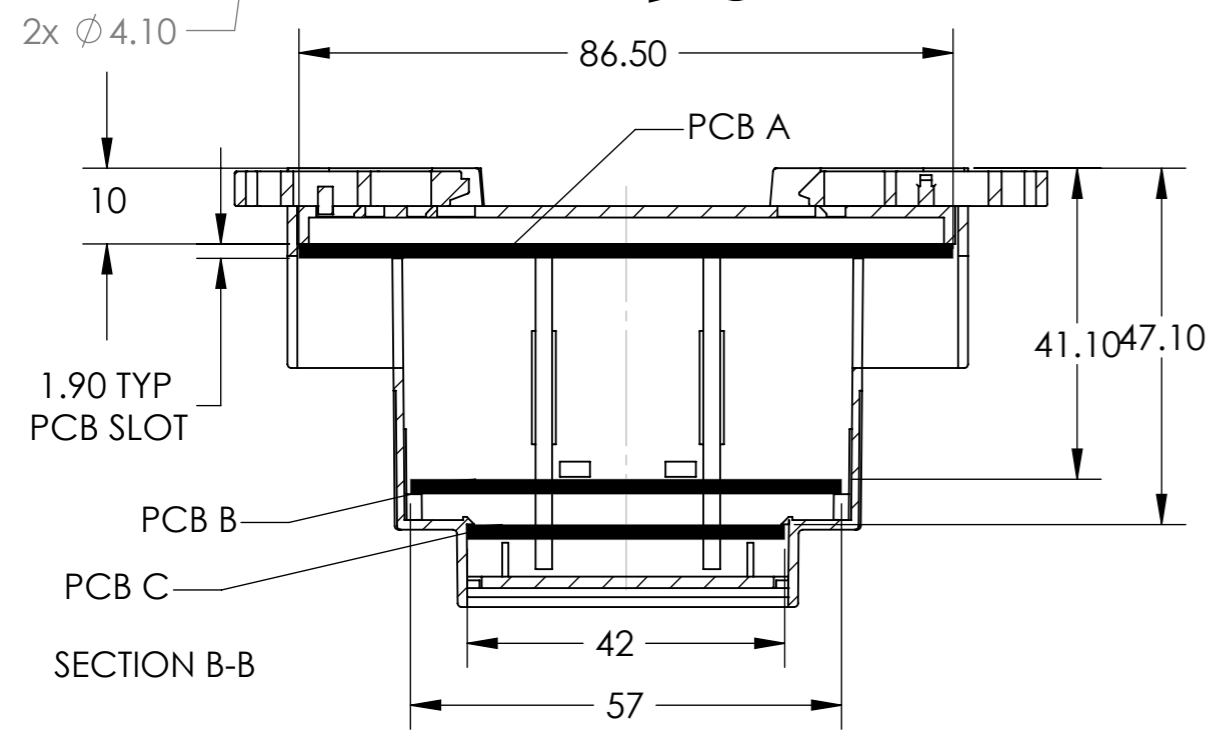
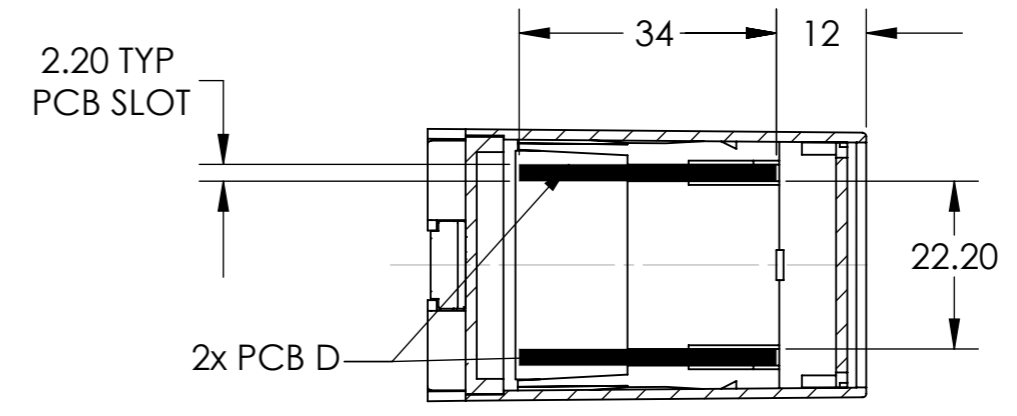
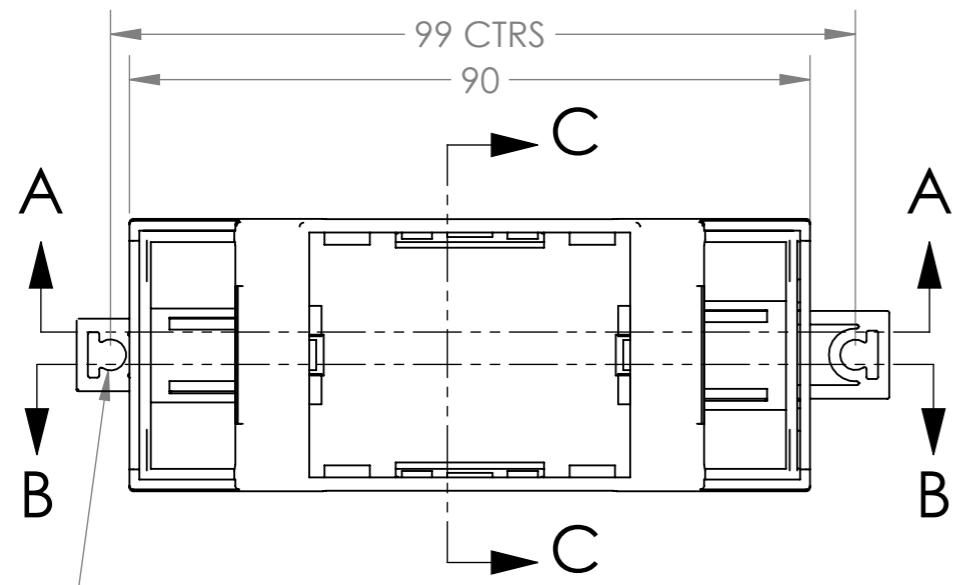


PCB DIMENSIONS (mm)	
A	86.5 x 33
B	57 x 32
C	42 x 32
D	34 x 59.6
E	40 x 33



<p>CAMDENBOSS JAMES CARTER RD, MILDENHALL, SUFFOLK, IP28 7DE TEL: 01638 716101 FAX: 01638 716554 EMAIL: Sales@CamdenBoss.com WEB: www.CamdenBoss.com</p>		UNLESS OTHERWISE SPECIFIED: DIMENSIONS ARE IN MILLIMETERS	DO NOT SCALE DRAWING	REVISION: 0	
		FINISH: SMOOTH	TITLE: GNL ASSY DGR FOR CNMB SERIES		
DRAWN: M.WALLACE	SIGNATURE: MJW	DATE: 07/10/10	MATERIAL: UV94-VO PC	DWG NO. CNMB-2ST-2	A3
CHK'D: L.SUBKHANKULOVA	LS	07/10/10	PROJECTION: 	SCALE:1:1	SHEET 1 OF 1