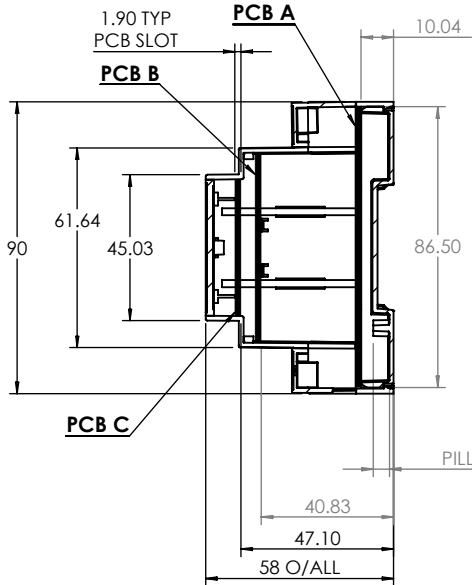
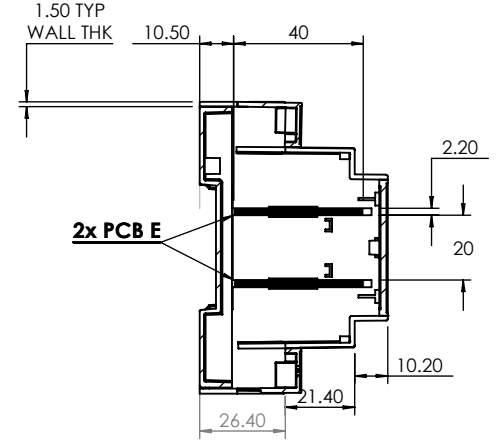
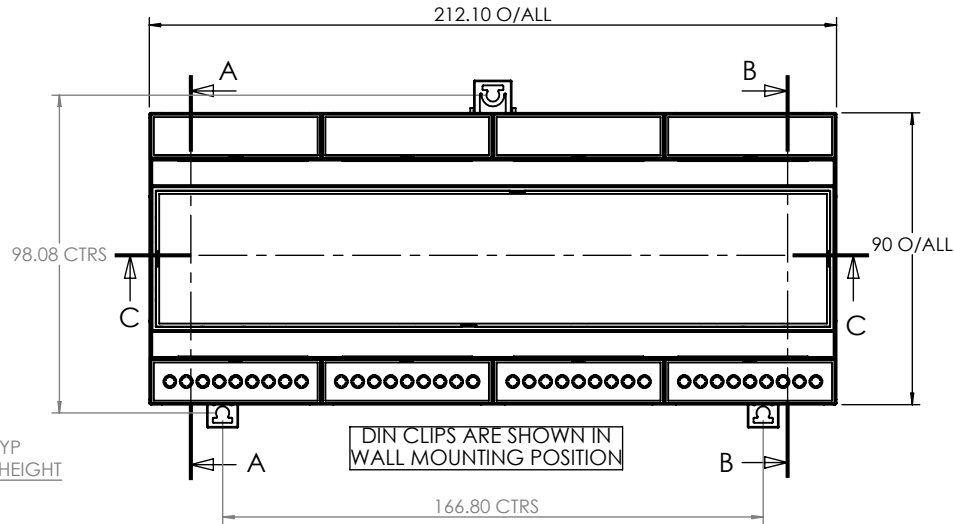


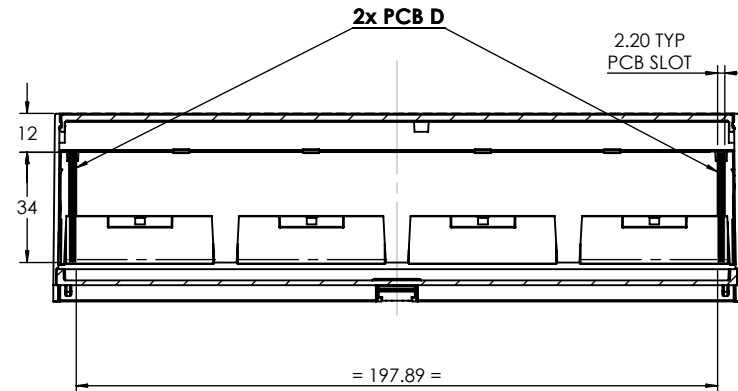
**ASSEMBLY**



SECTION A-A  
SCALE 3 : 7

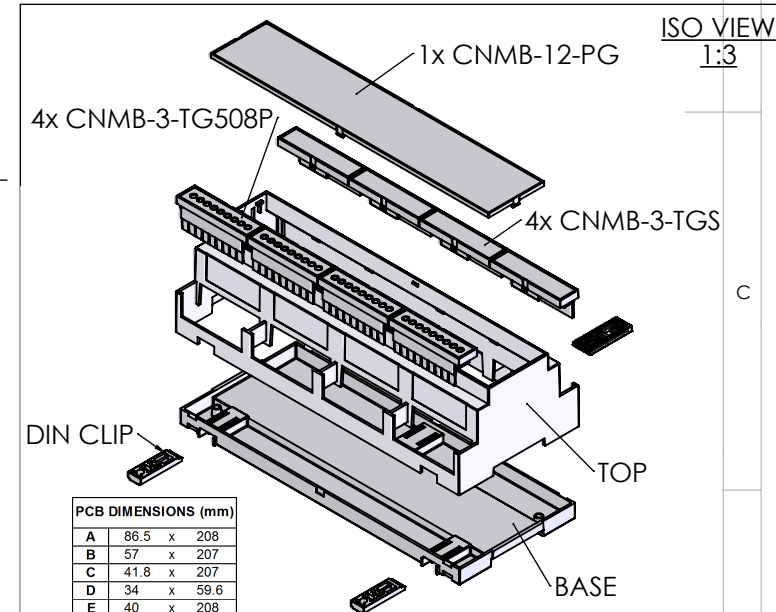
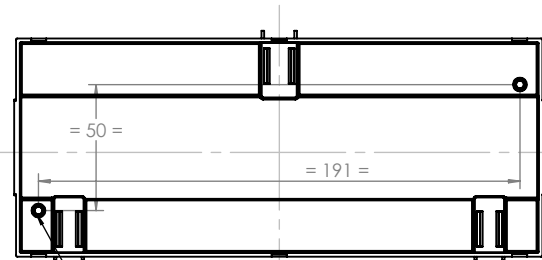


SECTION B-B  
SCALE 3 : 7



SECTION C-C  
SCALE 3 : 7

**BASE**



PCB DIMENSIONS (mm)	
A	86.5 x 208
B	57 x 207
C	41.8 x 207
D	34 x 59.6
E	40 x 208

<p><b>CAMDENBOSS</b>                  JAMES CARTER RD, MILDENHALL, SUFFOLK. IP28 7DE                  TEL: 01638 716101 FAX: 01638 716554                  EMAIL: Sales@CamdenBoss.com                  WEB: www.CamdenBoss.com</p>			UNLESS OTHERWISE SPECIFIED: DIMENSIONS ARE IN MILLIMETERS		DO NOT SCALE DRAWING		REVISION. 0			
			GENERAL TOLERANCES +/- 0.2		FINISH. SMOOTH		TITLE: GNL ASSY DRG FOR CNMB SERIES			
DRAWN JAMIE JACOBS		SIGNED JNJ		DATE 22/11/12		MATERIAL. UL94-VO PC		DWG NO. CNMB-12-2 kit		A4
CHKD -		-		-		PROJECTION.		SCALE. 1 : 2		SHEET 1 OF 1