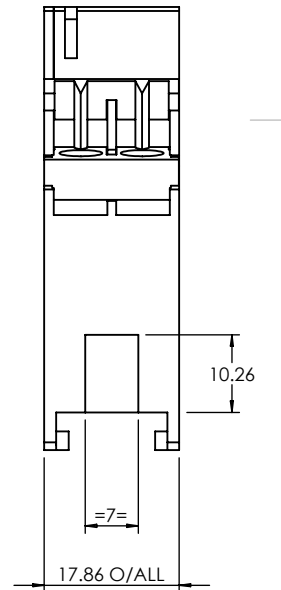
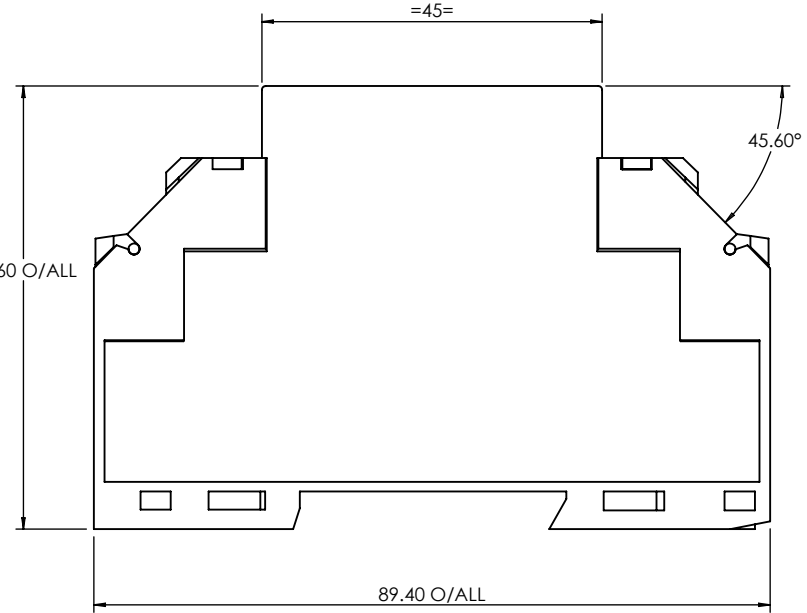
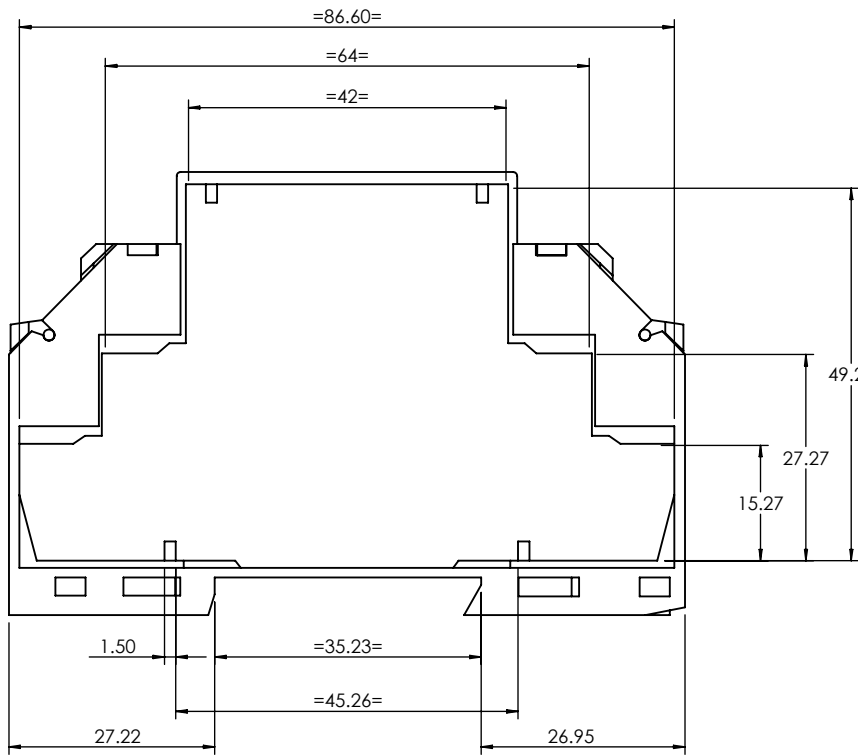
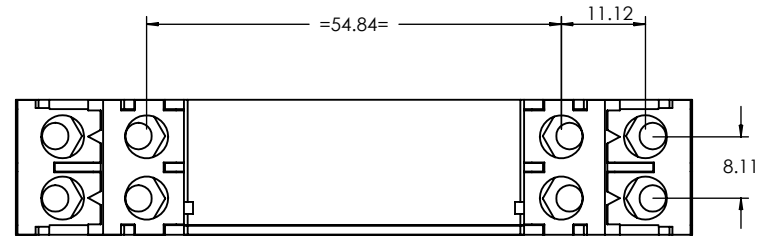
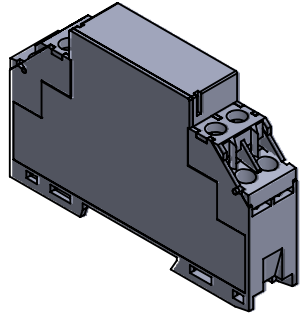




ISO VIEW  
1:2



 <b>CAMDENBOSS</b> JAMES CARTER RD, MILDENHALL, SUFFOLK. IP28 7DE TEL: 01638 716101 FAX: 01638 716554 EMAIL: Sales@CamdenBoss.com WEB: www.CamdenBoss.com				UNLESS OTHERWISE SPECIFIED: DIMENSIONS ARE IN MILLIMETERS		DO NOT SCALE DRAWING		REVISION. ○							
				GENERAL TOLERANCES +/- 0.2		TITLE: <b>DIMENSION DRAWING FOR CIMEB</b>									
DRAWN IAN PAGANO				SIGNED I.P.		DATE 16/04/14		MATERIAL: UL - 94 V0 PC		DWG NO.		<b>CMEB</b>		A4	
CHKD -				SIGNED -		DATE -		PROJECTION. 		SCALE: 1:1					