

1 2 3 4 5 6

A

A

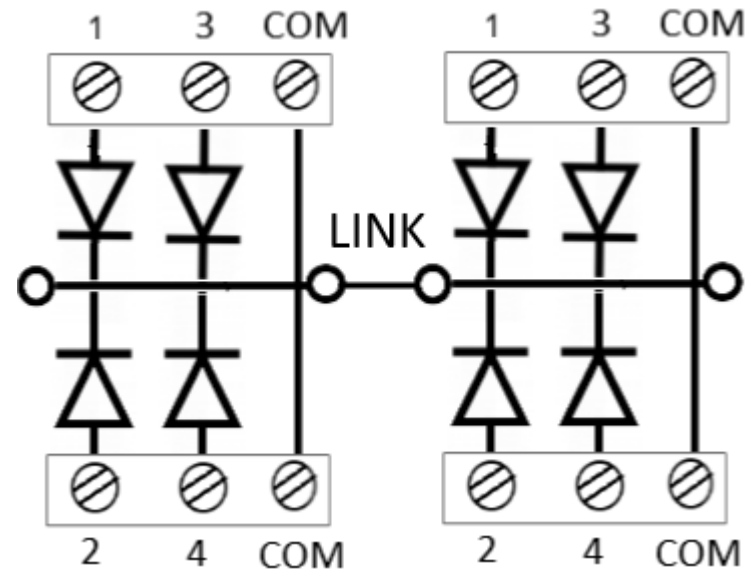
B



B

C

C

D



 CAMDENBOSS CONNECT. ENCLOSE. INNOVATE.		UNLESS OTHERWISE SPECIFIED: DIMENSIONS ARE IN MILLIMETERS		GENERAL TOLERANCES +/- 0.2	REVISION. -
		FINISH. -	TITLE: -		
JAMES CARTER RD, MILDENHALL, SUFFOLK. IP28 7DE TEL: 01638 716101 FAX: 01638 716554 EMAIL: Sales@CamdenBoss.com WEB: www.CamdenBoss.com		COLOUR. -	DWG NO.		
NAME	SIGNED	DATE	MATERIAL. -	A4	
DRAWN		-	PROJECTION. 	SCALE. -	SHEET 1 OF 1
CHK'D	-	-		DO NOT SCALE DRAWING	

1 2 3