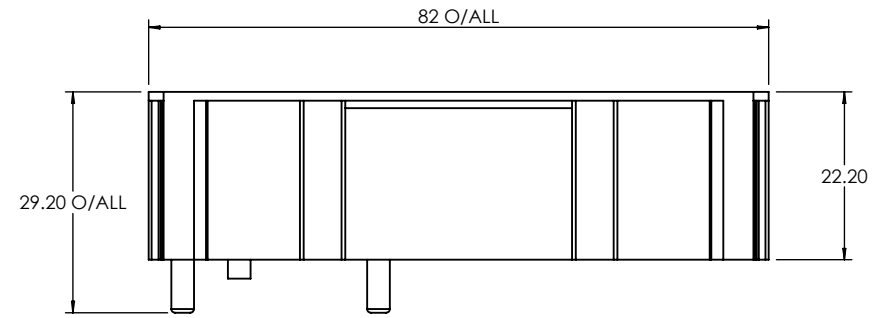
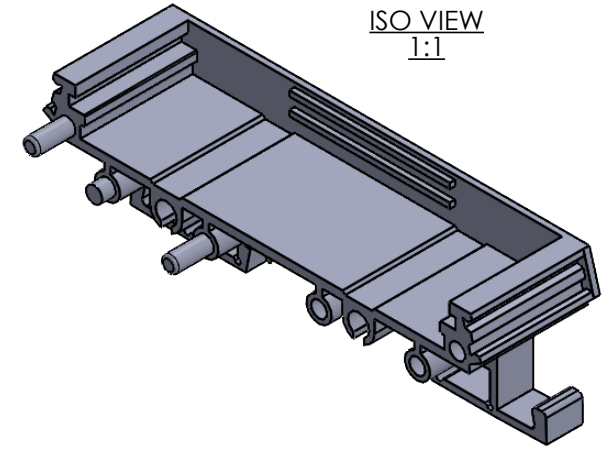


1 2 3 4 5 6

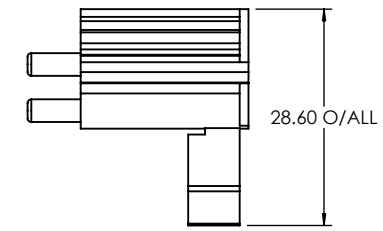
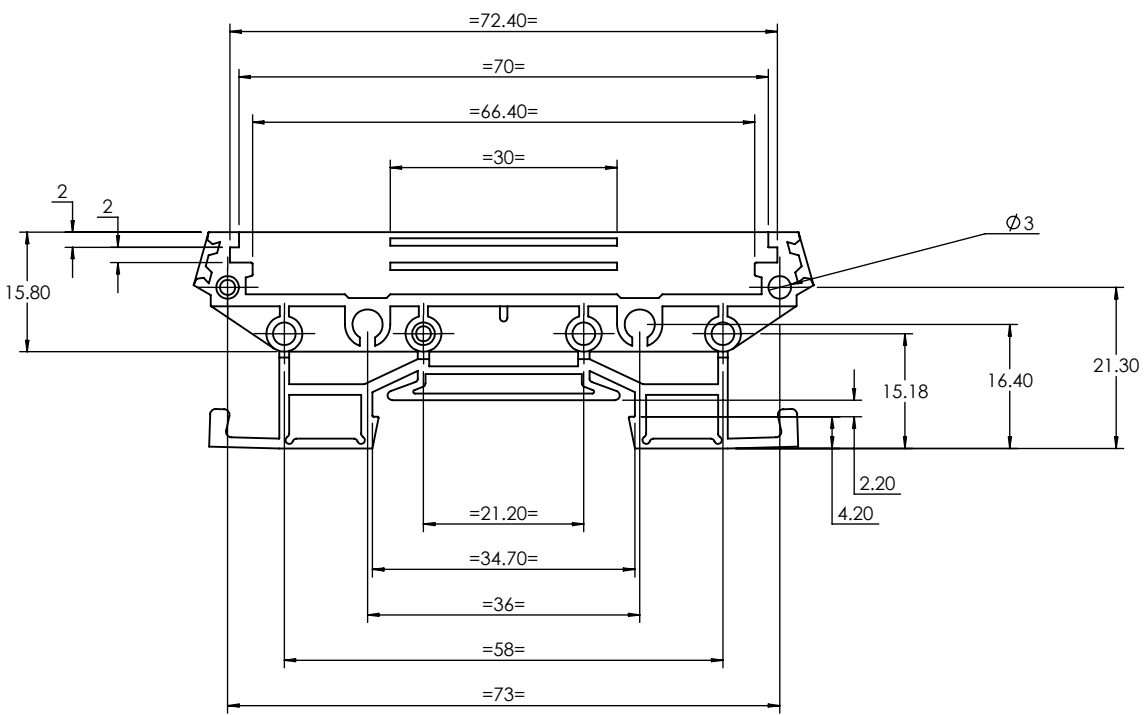
A



ISO VIEW
1:1





B



C

D

-	-	-	-	-	-	 CAMDENBOSS <small>CONNECT. ENCLOSE. INNOVATE.</small>	COLOUR. GREY	GUAGE -	DO NOT SCALE DRAWING DEBURR AND BREAK SHARP EDGES	SHEET 1 OF 1
-	-	-	-	-	-		FINISH. SMOOTH	TITLE: DIMENSION DRAWING FOR CIME-M-SE2250S	SCALE. 1:1	
A	01/12/21	970	UPDATE TO MATERIAL AND COLOUR	I.P	S.J.H	DRAWING UNITS: MILLIMETERS	MATERIAL. PA6 FR (30)	DWG NO.	CIME-M-SEF2250S	A4
O	09/04/14	-	FIRST DRAWN	I.P	-	PROJECTION. 				
REV	DATE	ECR	CHANGE NOTE	NAME	CHK'D	TOLERANCES +/- 0.2				

1 2 3 4 5 6