

1 2 3 4 5 6

A

B

C

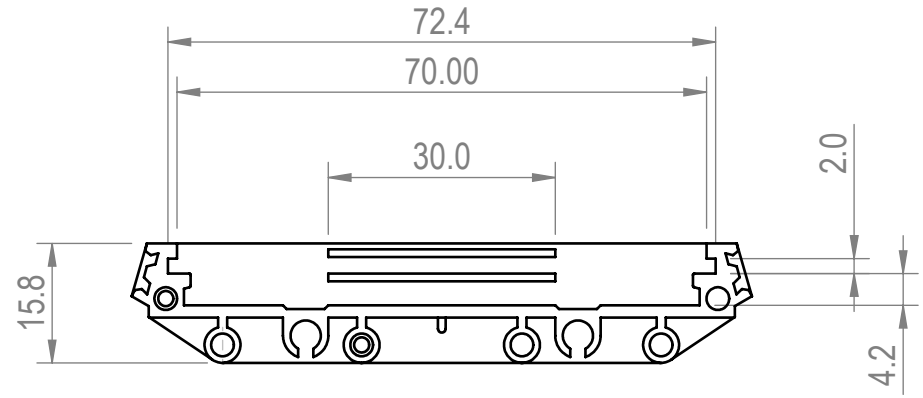
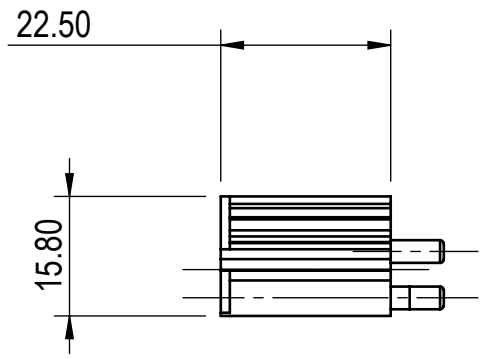
D

A

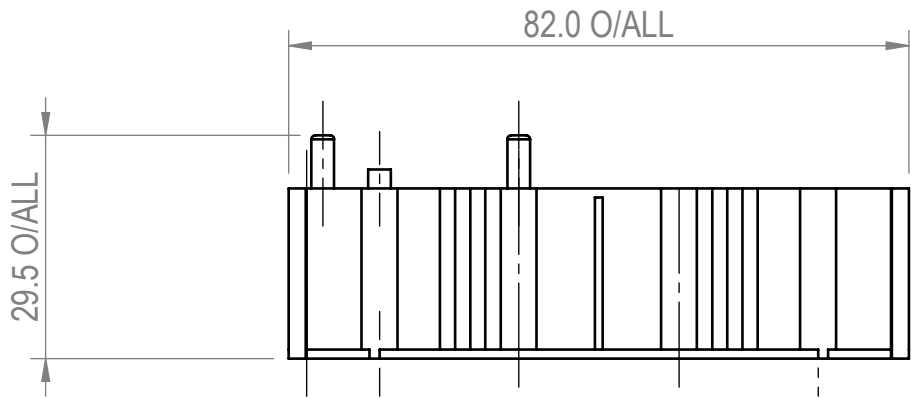
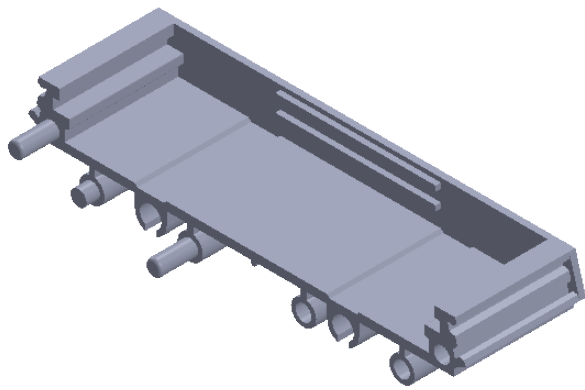
B



C

D



ISO VIEW
1:1



-	-	-	-	-	-	 CAMDENBOSS <small>CONNECT. ENCLOSE. INNOVATE.</small>	COLOUR. GREY	GAUGE -	DO NOT SCALE DRAWING DEBURR AND BREAK SHARP EDGES	SHEET 1 OF 1
-	-	-	-	-	-		FINISH. SMOOTH	TITLE: DIMENSION DRAWING FOR CIME-M-SE1125SS	SCALE. 1:1	
A	01/12/21	970	UPDATE TO MATERIAL AND COLOUR	I.P	S.J.H	<small>DRAWING UNITS: MILLIMETERS</small> <small>TOLERANCES +/- 0.2</small>	MATERIAL. PA6 FR (30)	DWG NO. CIME-M-SE2250SS	A4	
O	09/04/14	-	FIRST DRAWN	I.P	-					
REV	DATE	ECR	CHANGE NOTE	NAME	CHK'D					

1 2 3 4 5 6