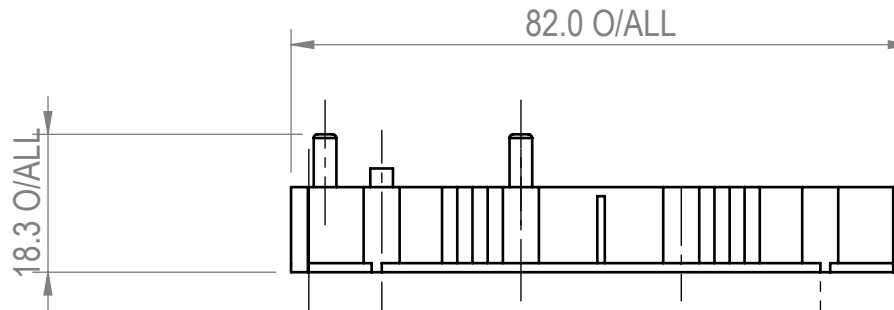
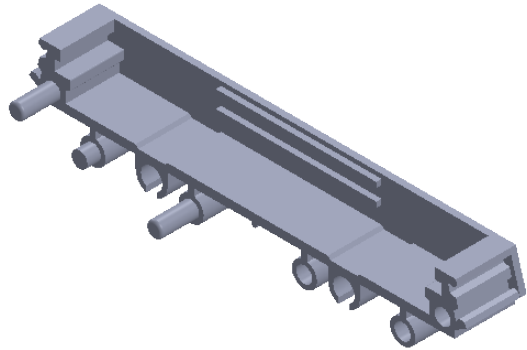




ISO VIEW  
1:1



-	-	-	-	-	-	 <b>CAMDENBOSS</b> CONNECT. ENCLOSE. INNOVATE.	COLOUR.	GREY	GUAGE	-	DO NOT SCALE DRAWING	SHEET
-	-	-	-	-	-		FINISH.	NONE	TITLE:	DIMENSION DRAWING FOR CIME-M-SE1 125SS		1 OF 1
A	01/12/21	970	UPDATE TO MATERIAL AND COLOUR	I.P	S.J.H	DRAWING UNITS: MILLIMETERS	MATERIAL.	PA6 FR (30)	DWG NO.	CIME-M-SE1 125SS		SCALE:
O	28/03/14	-	FIRST DRAWN	I.P	-	TOLERANCES +/- 0.2	PROJECTION.				1:1	A4
REV	DATE	ECR	CHANGE NOTE	NAME	CHK'D							
1				2		3	4	5	6			