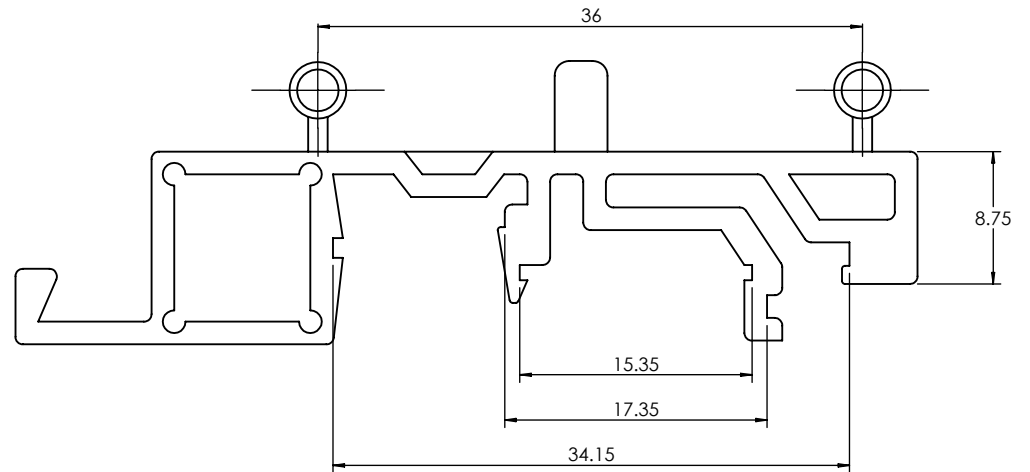
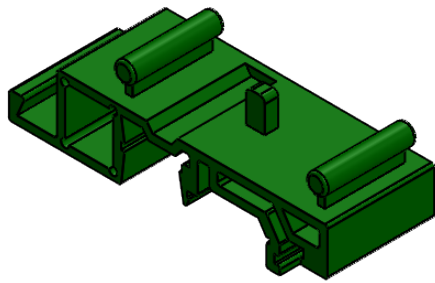



ISO VIEW  
1:1



 <b>CAMDENBOSS</b> CONNECT. ENCLOSE. INNOVATE.		UNLESS OTHERWISE SPECIFIED: DIMENSIONS ARE IN MILLIMETERS		GENERAL TOLERANCES +/- 0.2		REVISION. <input type="checkbox"/>		
		FINISH. GLOSS		TITLE: DIMENSION DRAWING FOR CIME-M-FE0000SS				
JAMES CARTER RD, MILDENHALL, SUFFOLK. IP28 7DE TEL: 01638 716101 FAX: 01638 716554 EMAIL: Sales@CamdenBoss.com WEB: www.CamdenBoss.com		MATERIAL. PA UL - 94 V0		DWG NO. CIME-M-FE0000SS		A4		
DRAWN	IAN PAGANO	SIGNED	I.P.	DATE	28/03/14	SCALE: 2:1	SHEET 1 OF 1	DO NOT SCALE DRAWING
CHKD	-	-	-	-	-	