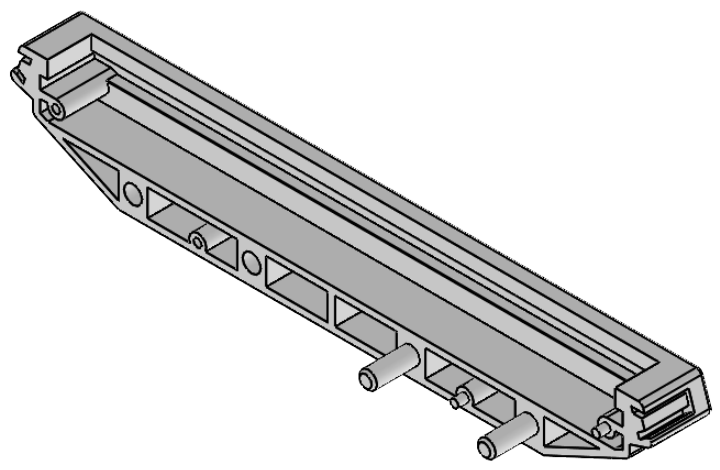
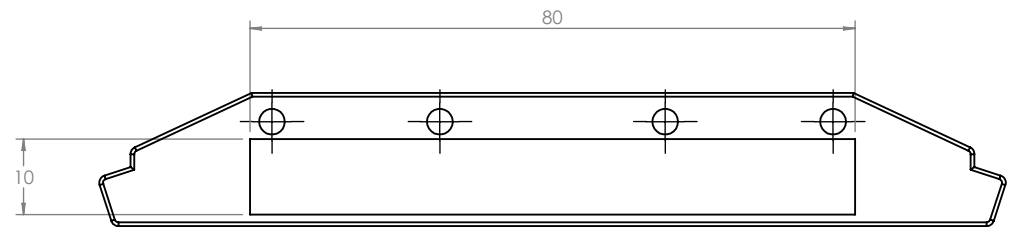


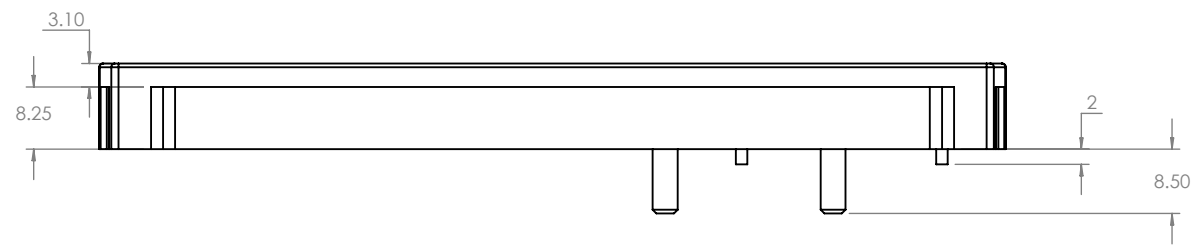
1 2 3 4 5 6

A



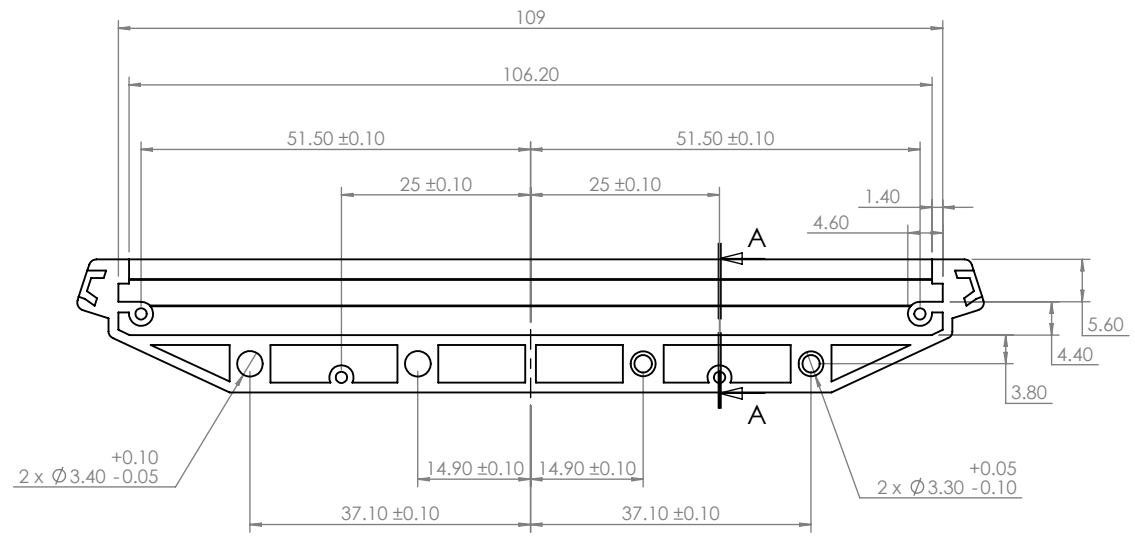
A

B

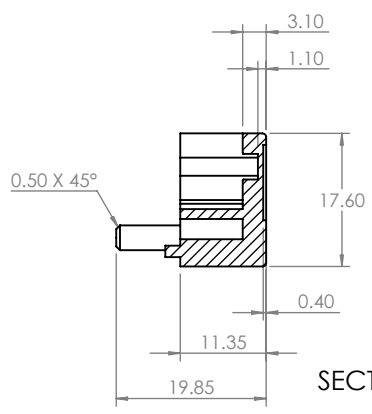


B

C




C



SECTION A-A

D

-	-	-	-	-	-	 <b>CAMDENBOSS</b> CONNECT. ENCLOSE. INNOVATE.	COLOUR. GREY	GUAGE -	DO NOT SCALE DRAWING DEBURR AND BREAK SHARP EDGES	SHEET 1 OF 1
A	14/12/21	970	UPDATED TO MATERIAL AND COLOUR	I.P.	S.J.H		FINISH. SMOOTH	TITLE: DIMENSION DRAWING FOR CIME-E-107-SE1000	SCALE. 1:1	
O	09/04/21	-	FIRST DRAWN	I.P.	-	DRAWING UNITS: MILLIMETERS	MATERIAL. PA6 FR (30)	DWG NO.	<b>CIME-E-107-SE1000-S A4</b>	
REV	DATE	ECR	CHANGE NOTE	NAME	CHK'D	TOLERANCES +/- 0.2	PROJECTION.			

1 2 3 4 5 6

D