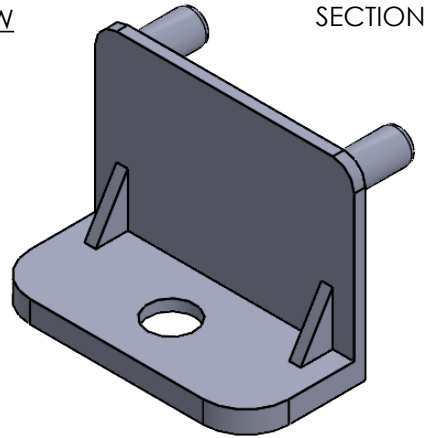




ISO VIEW
2:1

SECTION A-A



-	-	-	-	-	-	 CAMDENBOSS <small>CONNECT. ENCLOSE. INNOVATE.</small>	COLOUR. GREY	GAUGE -	DO NOT SCALE DRAWING DEBURR AND BREAK SHARP EDGES	SHEET 1 OF 1
A	01/12/21	970	UPDATE TO MATERIAL AND COLOUR	I.P	S.J.H		FINISH. SMOOTH	TITLE: GENERAL DRAWING FOR CIME WALL MOUNT	SCALE. 2:1	
O	03/01/12	-	FIRST DRAWN	MJW	-	DRAWING UNITS: MILLIMETERS	MATERIAL. PA6 FR (30)	DWG NO.	CIME-M-MPR	A4
REV	DATE	ECR	CHANGE NOTE	NAME	CHK'D	TOLERANCES +/- 0.2	PROJECTION. 			
1	2	3	4	5	6					