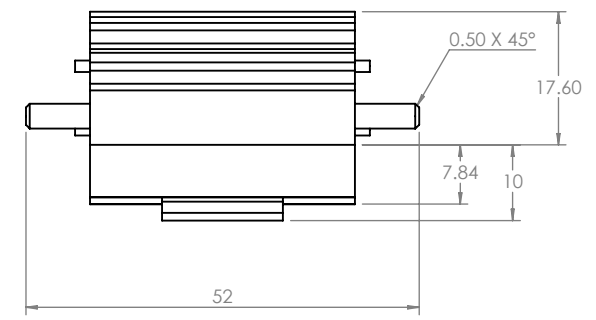
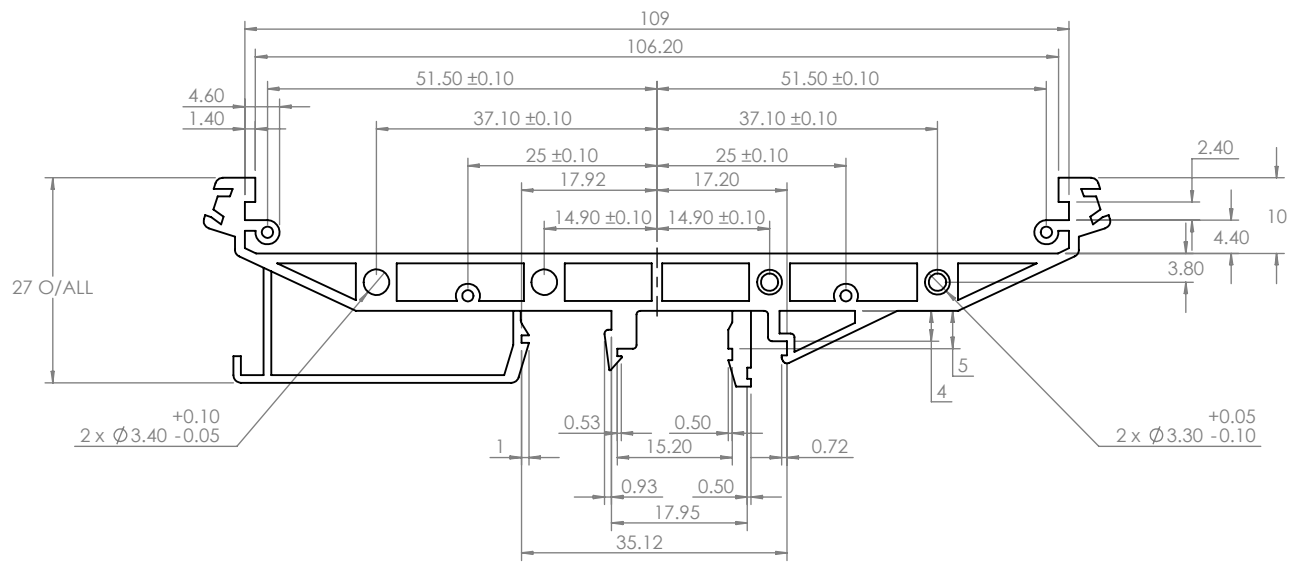
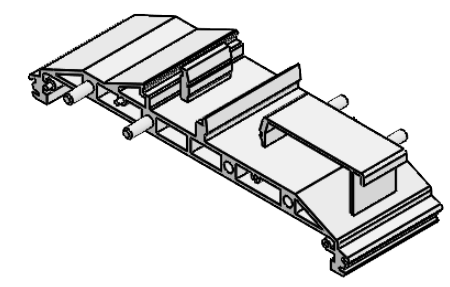



ISO VIEW  
SCALE 1:2



-	-	-	-	-	-	 <b>CAMDENBOSS</b> <small>CONNECT. ENCLOSE. INNOVATE.</small>	COLOUR. GREY	GUAGE -	DO NOT SCALE DRAWING DEBURR AND BREAK SHARP EDGES	SHEET 1 OF 1
-	-	-	-	-	-		FINISH. SMOOTH	TITLE: DIMENSION DRAWING FOR CIME-E-BEF-3500S	SCALE. 1:1	D
A	14/12/21	970	UPDATED TO MATERIAL AND COLOUR	I.P.	S.J.H	DRAWING UNITS: MILLIMETERS TOLERANCES +/- 0.2	MATERIAL. PA6 FR (30)	DWG NO.	<b>CIME-E-BEF3500S</b>	<b>A4</b>
O	09/04/21	-	FIRST DRAWN	I.P.	-		PROJECTION.			
REV	DATE	ECR	CHANGE NOTE	NAME	CHK'D					
1			2	3		4	5	6		