

OVERALL ASSEMBLY DIMENSIONS:

EXTERNAL - 144.5 x 80 x 34

INTERNAL 138.5 x 74 x 28

(1) 4x UNIT ASSEMBLY SCREW - KF370

(2) 4x INTERNAL MOUNTING SCREWS - KF906

BATTERY COVER

SCREW (1)

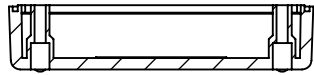
LID

SCREW (2)

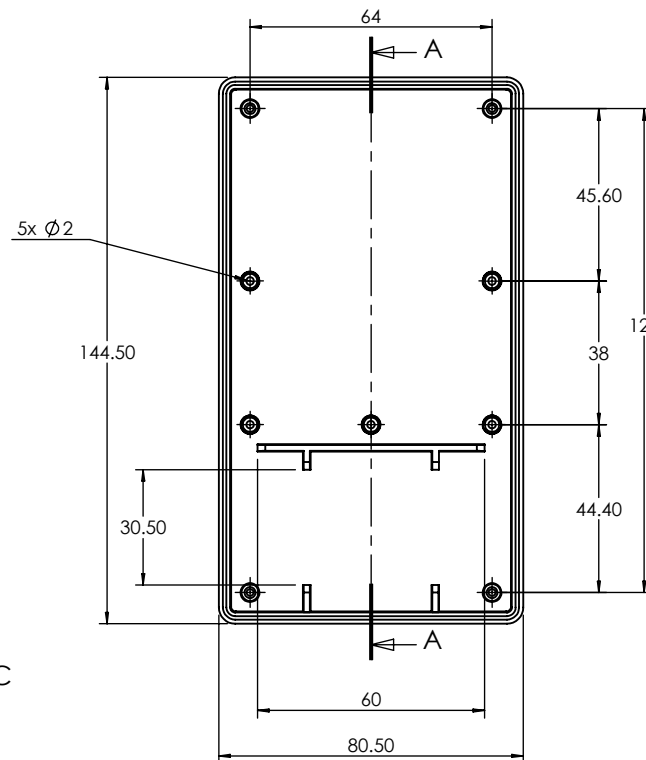
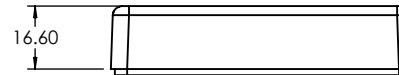
BASE

ISO VIEW
1:3

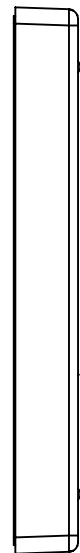
LID



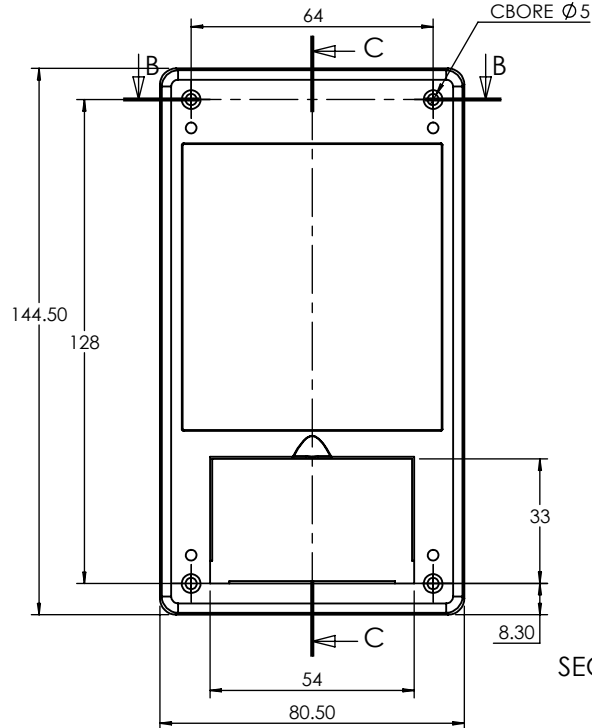
SECTION B-B



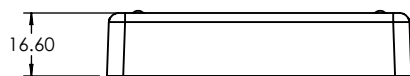
SECTION A-A
SCALE 1 : 2





BASE



SECTION C-C



-	-	-	-	-	-	 CAMDENBOSS CONNECT. ENCLOSE. INNOVATE.	COLOUR. BLACK	GUAGE -	DO NOT SCALE DRAWING DEBURR AND BREAK SHARP EDGES	SHEET 1 OF 1
B	26/04/22	-	UPDATED PCB SCREWS	I.P	J.S		FINISH. TEXTURED	TITLE: ASSEMBLY DRG FOR CHH29102	SCALE. 1:5	
A	19/07/13	-	FIRST DRAWN	I.P	MJW	DRAWING UNITS: MILLIMETERS	MATERIAL. ABS UL 94 - V0	DWG NO.	CHHMC02BK	A4
REV	DATE	ECR	CHANGE NOTE	NAME	CHK'D	TOLERANCES +/- 0.2	PROJECTION. 			

1

2

3

4

5

6