

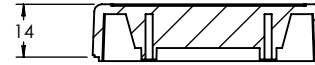
OVERALL ASSEMBLY DIMENSIONS:

EXTERNALS - 104.5 x 61.3 x 27.5

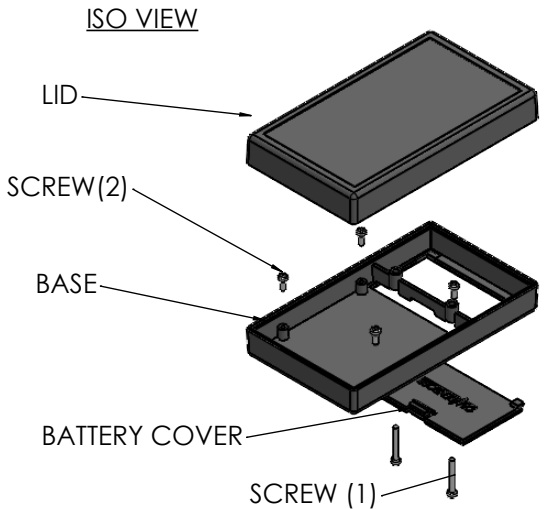
INTERNALS - 99 x 56 x 22



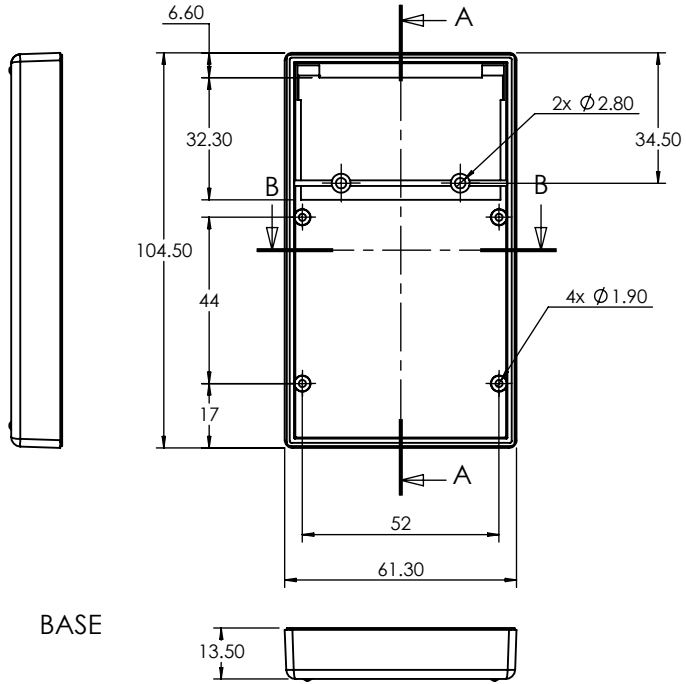
SECTION B-B



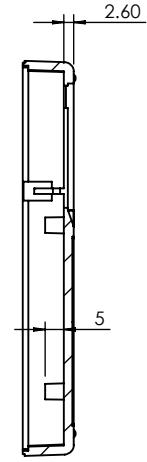
SECTION C-C



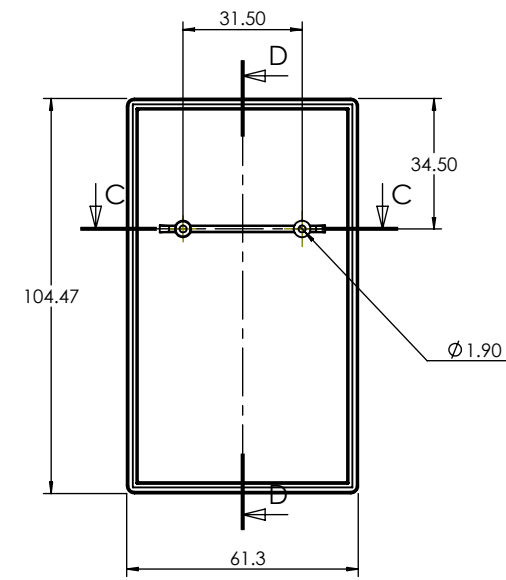
ISO VIEW



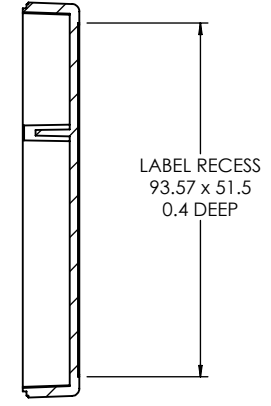
BASE



SECTION A-A



LID



SECTION D-D

LABEL RECESS
93.57 x 51.5
0.4 DEEP



COLOUR.	GREY	GUAGE	-	DO NOT SCALE DRAWING DEBURR AND BREAK SHARP EDGES	SHEET 1 OF 1
FINISH.	TEXTURED	TITLE:	DIMENSION DRAWING FOR 2910 SERIES MOBILE CASE SIZE 1		SCALE. 1:2
MATERIAL.	ABS UL 94 - V0	DWG NO.	CHHMC01GY		A4

REV	DATE	ECR	CHANGE NOTE	NAME	CHK'D	DRAWING UNITS: MILLIMETERS TOLERANCES +/- 0.2	PROJECTION.
B	26/04/22	1076	UPDATED PCB SCREWS	I.P	J.S		
A	18/07/13	-	FIRST DRAWN	I.P	-		