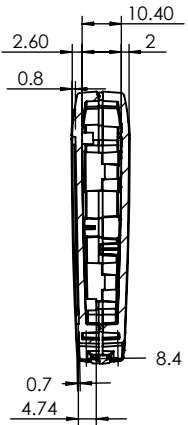
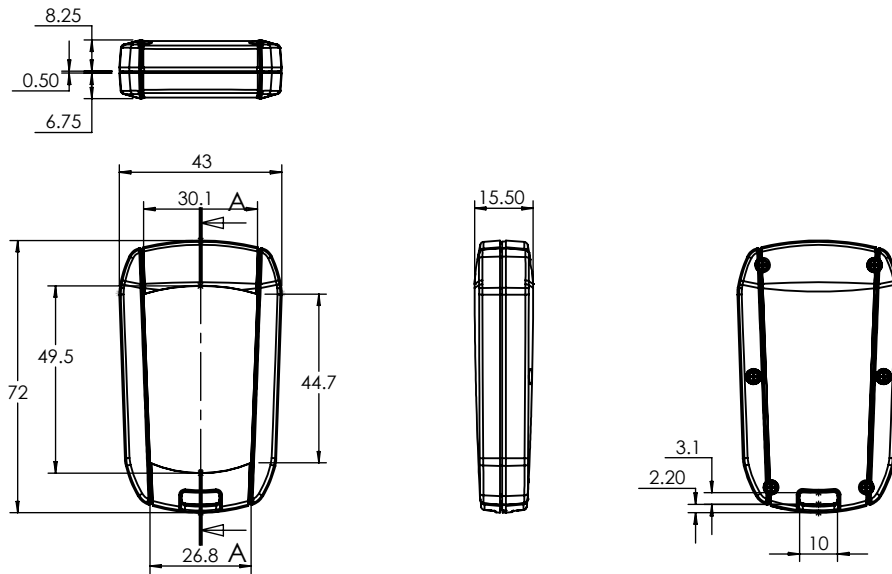
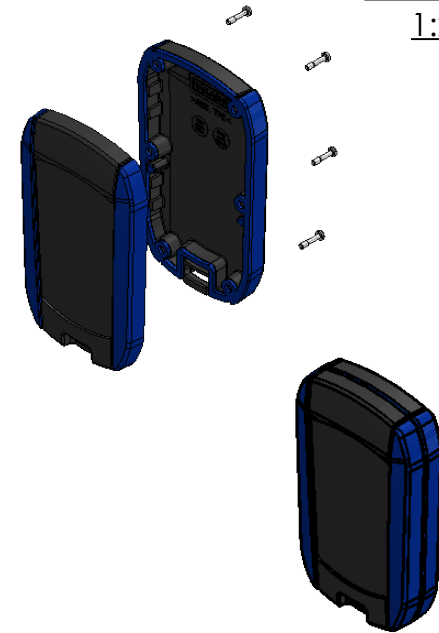
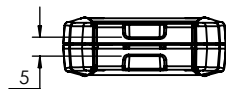


ISO VIEW
1:2

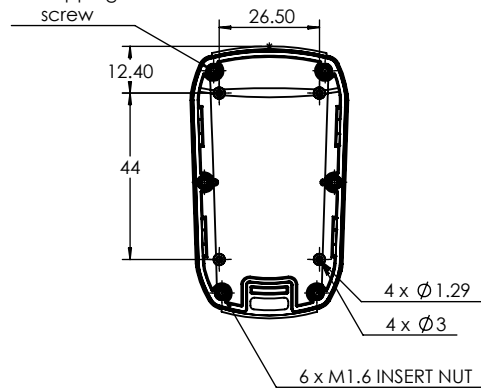


SECTION A-A

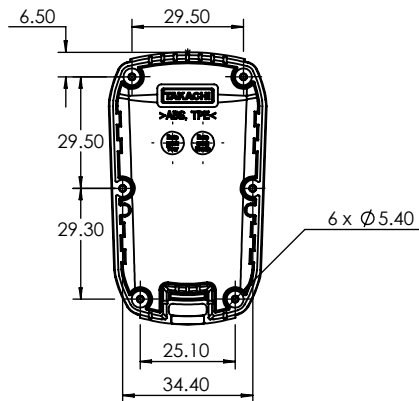


4x M1.6
boss for
self tapping
screw

TOP COVER



BOTTOM COVER



TECHINCAL DATA	
PROTECTION	IP67
OPERATING TEMPERATURE	-10°C ~ +50°C
RECOMMENDED TORQUE	0.06 ~ 0.08Nm



CAMDENBOSS

JAMES CARTER RD, MILDENHALL, SUFFOLK. IP28 7DE
TEL: 01638 716101 FAX: 01638 716554
EMAIL: Sales@CamdenBoss.com
WEB: www.CamdenBoss.com

UNLESS OTHERWISE SPECIFIED:
DIMENSIONS ARE IN MILLIMETERS

GENERAL TOLERANCES +/- 0.2

FINISH. LIGHT SPARK

DO NOT SCALE DRAWING

REVISION.



TITLE: DIMENSIONED GENERAL DRAWING FOR
93 SERIES - IP67 PORTABLE CASE SIZE 1
NO BATTERY COMPARTMENT

	NAME	SIGNED	DATE
DRAWN	IAN PAGANO	I.P.	18/01/17
CHK'D	ALEX G.	A.G	20/09/17

MATERIAL.
BODY - ABS UL 94 - HB
GASKET - SILICONE
PROJECTION.

DWG NO.

CHH931NBL

A4

SCALE: 1:1

SHEET 1 OF 1