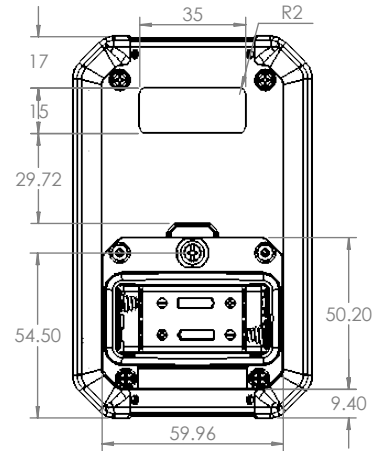
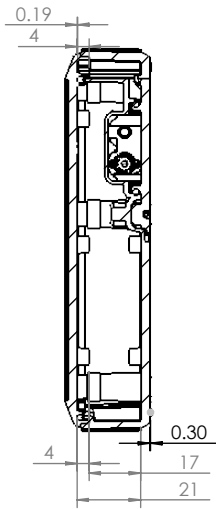
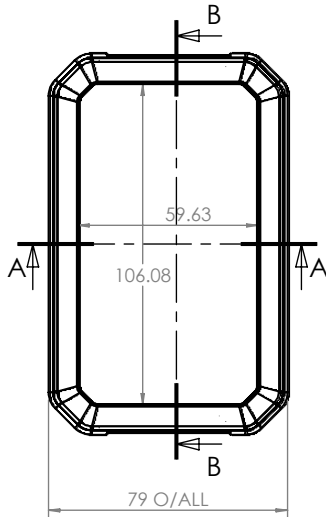
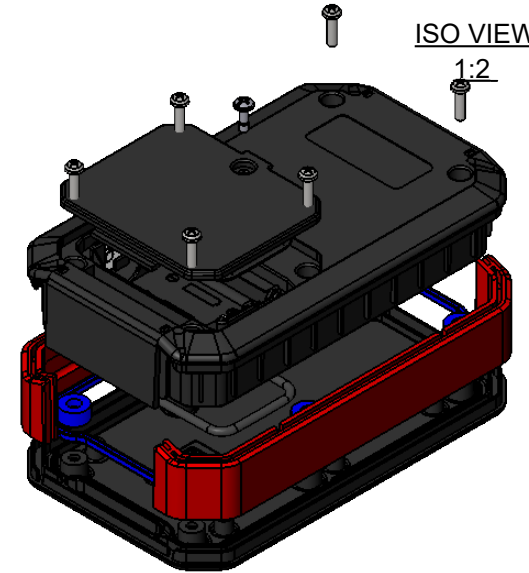


SECTION B-B

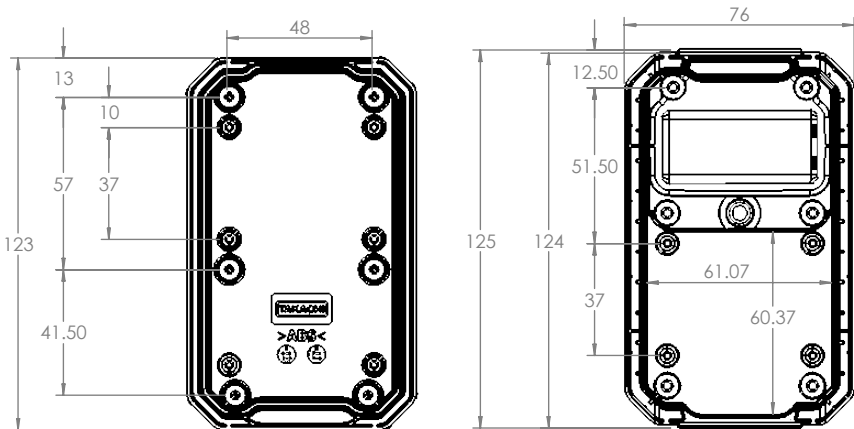
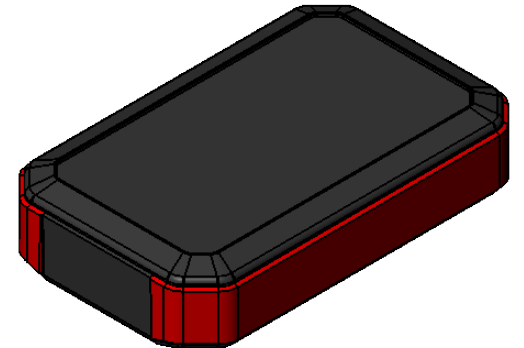
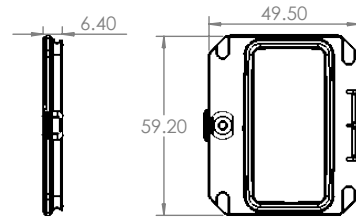
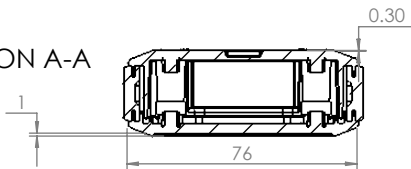



ISO VIEW

1:2



SECTION A-A



 <b>CAMDENBOSS</b> JAMES CARTER RD, MILDENHALL, SUFFOLK. IP28 7DE TEL: 01638 716101 FAX: 01638 716554 EMAIL: Sales@CamdenBoss.com WEB: www.CamdenBoss.com				UNLESS OTHERWISE SPECIFIED: DIMENSIONS ARE IN MILLIMETERS	DO NOT SCALE DRAWING	REVISION. 0
				GENERAL TOLERANCES +/- 0.2	TITLE: <b>90 SERIES FOR BOX, SIZE 4, 126x79x28</b>	
FINISH: <b>FINE TEXTURE</b>				MATERIAL: <b>ABS UL94-V0</b>	DWG NO. <b>CHH905DBR</b>	<b>A4</b>
DRAWN	NAME I.ALSAHEB	SIGNED IMS	DATE 11/11/17	PROJECTION.	SCALE: 2:5	SHEET 1 OF 1
CHK'D	DAN SMALLEY	DS	11/11/17			