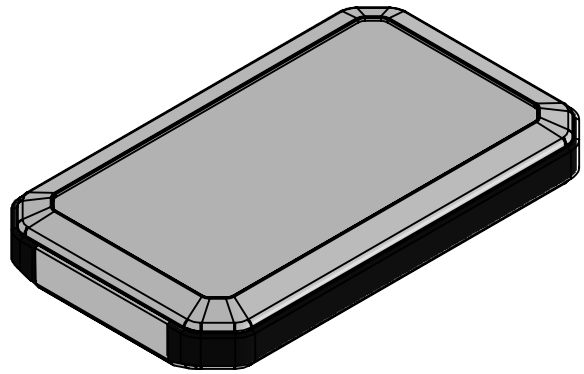
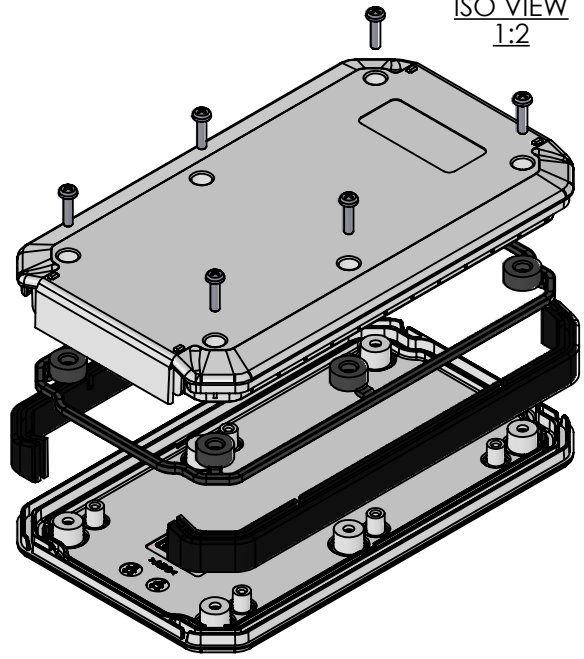




SECTION A-A

SECTION B-B

ISO VIEW
1:2



| | | | | | | | | | | | | | |
|---|--|--|--|--|--|--|--|---|--|-----------------------------|--|--------------|--|
|  CAMDENBOSS JAMES CARTER RD, MILDENHALL, SUFFOLK. IP28 7DE TEL: 01638 716101 FAX: 01638 716554 EMAIL: Sales@CamdenBoss.com WEB: www.CamdenBoss.com | | | | UNLESS OTHERWISE SPECIFIED: DIMENSIONS ARE IN MILLIMETERS | | DO NOT SCALE DRAWING | | REVISION. ○ | | | | | |
| | | | | GENERAL TOLERANCES +/- 0.2 | | TITLE: DRAWING FOR 90 SERIES SIZE 1 NO BATTERY COMPARTMENT | | | | | | | |
| DRAWN IAN PAGANO | | | | SIGNED I.P. | | DATE 23/01/15 | | MATERIAL: ABS UL 94 - V0 | | DWG NO. CHH901NWB | | A4 | |
| CHK'D - | | | | - | | - | | PROJECTION.  | | SCALE: 2:5 | | SHEET 1 OF 1 | |