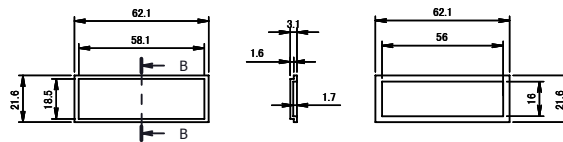
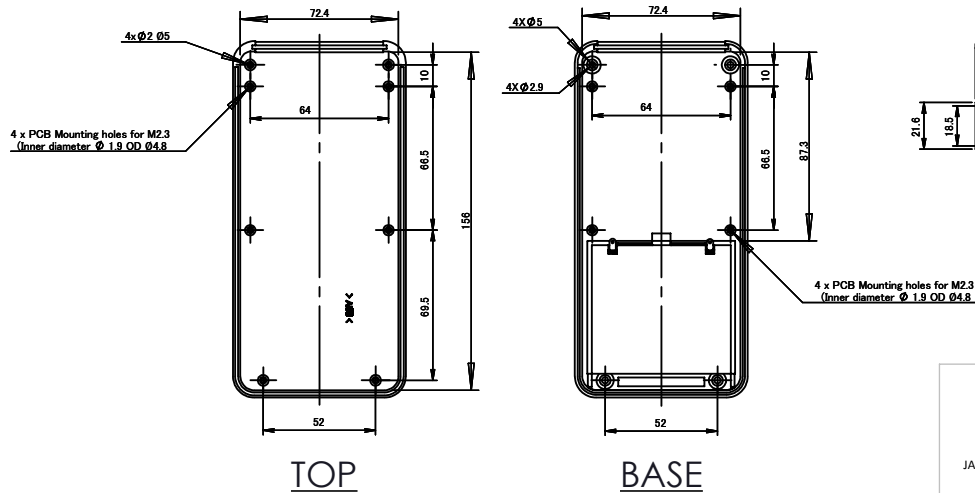
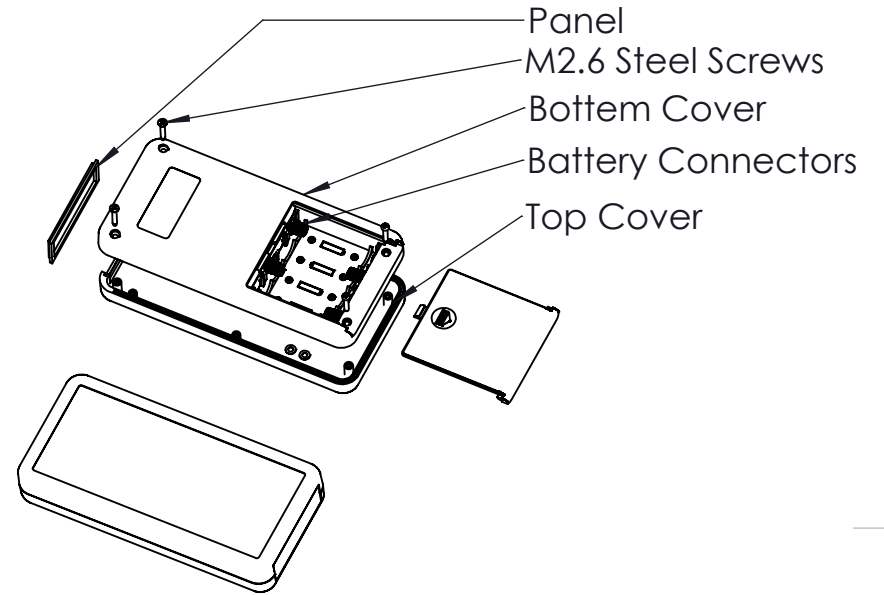
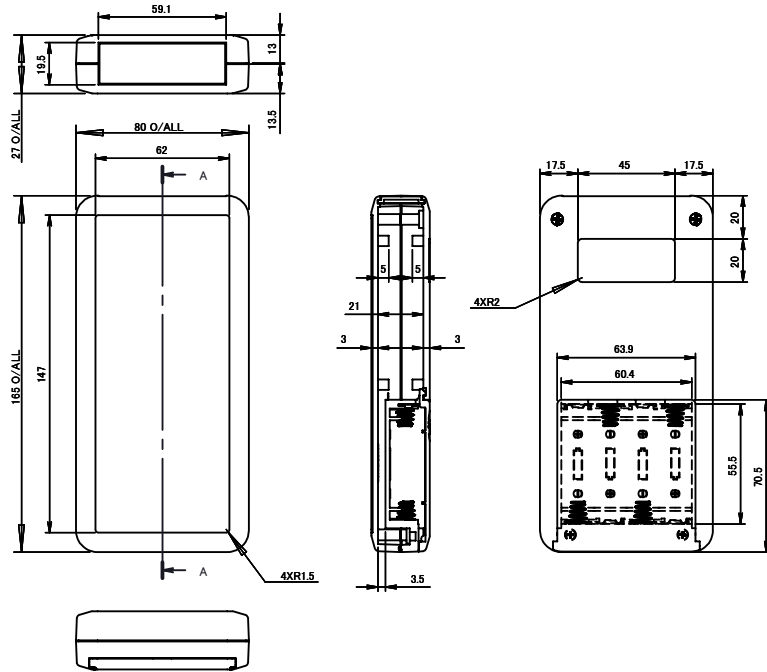


ASSEMBLY

ISO VIEW 2:7



PANEL

<p>CAMDENBOSS JAMES CARTER RD, MILDENHALL, SUFFOLK. IP28 7DE TEL: 01638 716101 FAX: 01638 716554 EMAIL: Sales@CamdenBoss.com WEB: www.CamdenBoss.com</p>		UNLESS OTHERWISE SPECIFIED: DIMENSIONS ARE IN MILLIMETERS	DO NOT SCALE DRAWING	REVISION. ○			
		GENERAL TOLERANCES +/- 0.2	TITLE: 87 SERIES SILICON COVER ENCLOSURES, SIZE 5, DARK GREY, BATTERY COMPARTMENT, 165x80x27				
	NAME	SIGNED	DATE	MATERIAL. ABS UL94-V0	DWG NO.	CHH875DGC	A4
DRAWN	LEWIS LETCHFORD	L.L.	11/02/2014	PROJECTION.	SCALE: 2:7		
CHK'D	IAN PAGANO	I.P.	21/02/14			SHEET 1 OF 1	