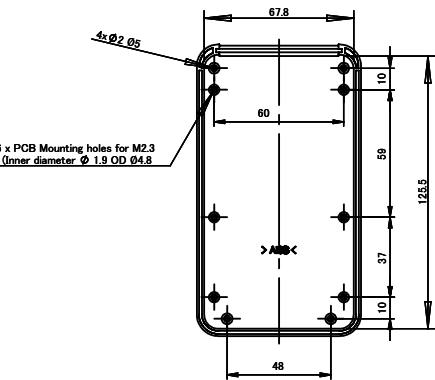
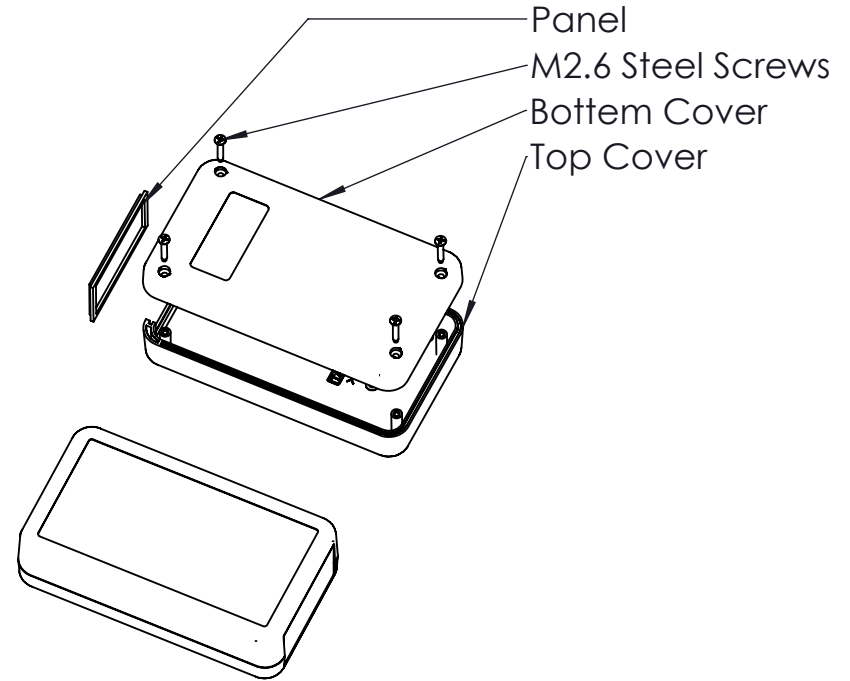
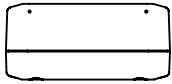
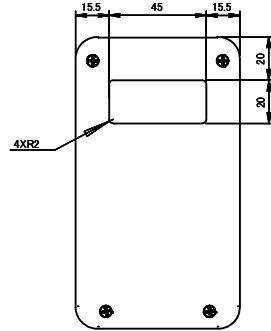
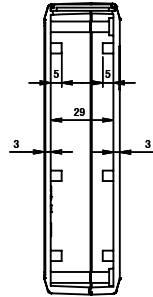
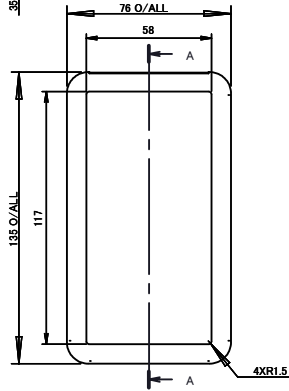
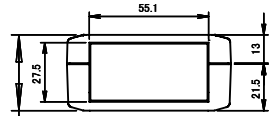
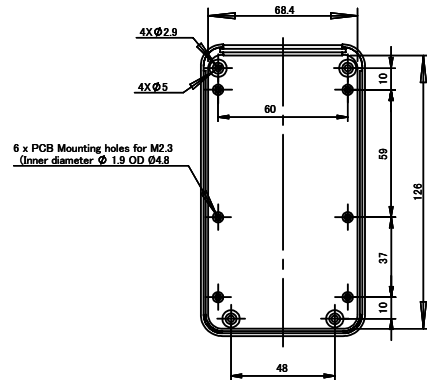


ASSEMBLY

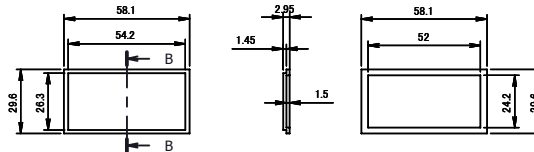
ISO VIEW  
2:7





TOP



BASE



PANEL

 <b>CAMDENBOSS</b> JAMES CARTER RD, MILDENHALL, SUFFOLK. IP28 7DE TEL: 01638 716101 FAX: 01638 716554 EMAIL: Sales@CamdenBoss.com WEB: www.CamdenBoss.com		UNLESS OTHERWISE SPECIFIED: DIMENSIONS ARE IN MILLIMETERS		DO NOT SCALE DRAWING		REVISION. <input type="checkbox"/>	
		GENERAL TOLERANCES +/- 0.2		TITLE: <b>87 SERIES SILICON COVER ENCLOSURES, SIZE 4, DARK GREY, 135x76x35</b>			
DRAWN		NAME		MATERIAL.		DWG NO.	
LEWIS LETCHFORD		LEWIS LETCHFORD		ABS UL94-V0		CHH874DGN	
CHK'D		SIGNED		PROJECTION.		SCALE: 2:7	
IAN PAGANO		I.P.				SHEET 1 OF 1	
DATE		DATE		DATE		DATE	
11/02/2014		11/02/2014		11/02/2014		11/02/2014	
19/02/14		19/02/14		19/02/14		19/02/14	
						A4	