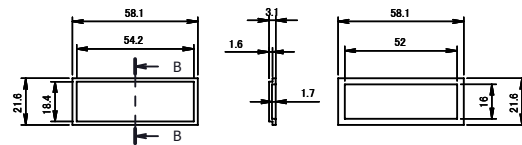
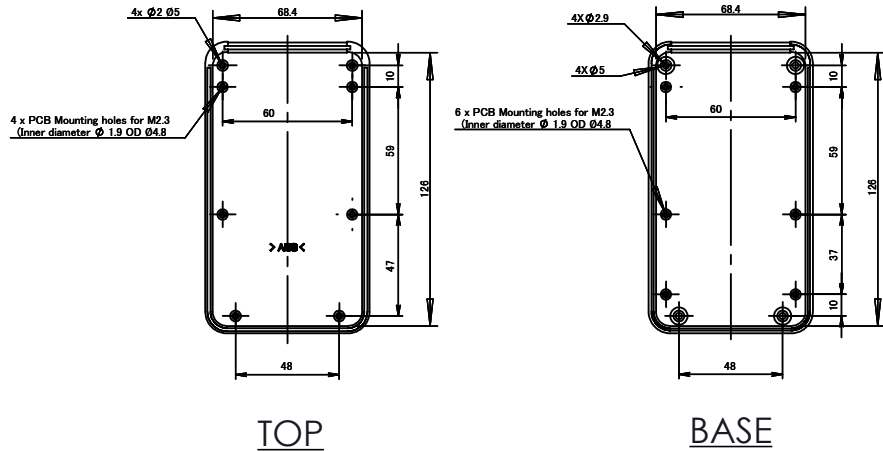
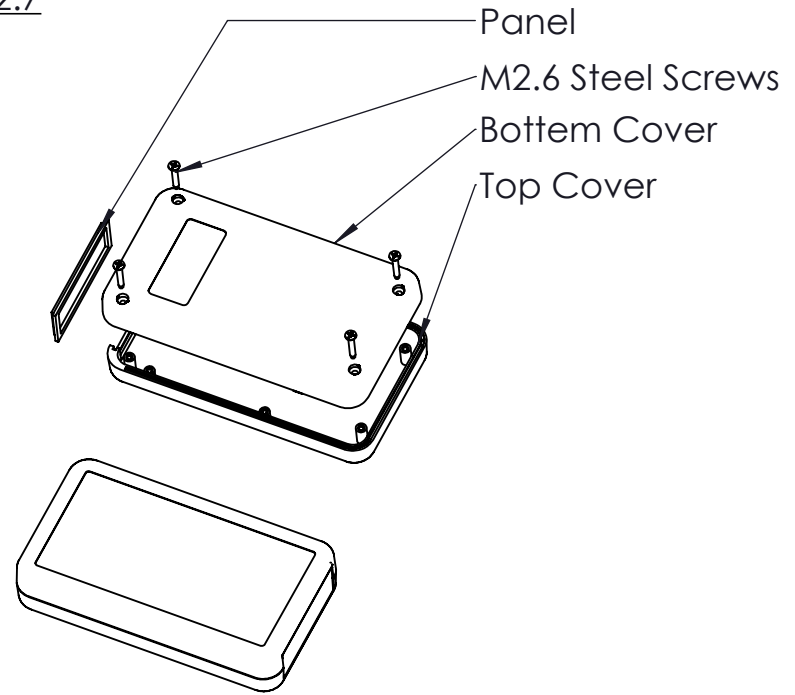
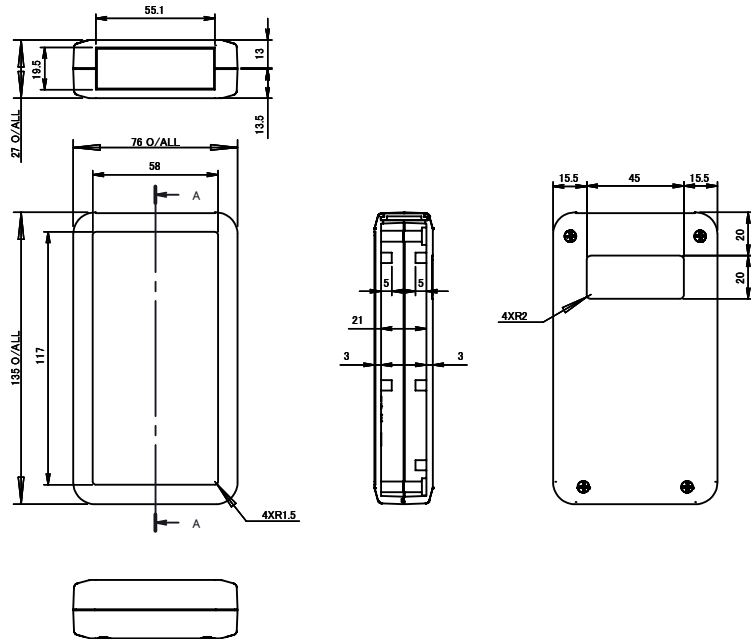




ASSEMBLY

ISO VIEW
2:7



PANEL

 CAMDENBOSS JAMES CARTER RD, MILDENHALL, SUFFOLK. IP28 7DE TEL: 01638 716101 FAX: 01638 716554 EMAIL: Sales@CamdenBoss.com WEB: www.CamdenBoss.com		UNLESS OTHERWISE SPECIFIED: DIMENSIONS ARE IN MILLIMETERS		DO NOT SCALE DRAWING		REVISION. ○	
		GENERAL TOLERANCES +/- 0.2		TITLE: 87 SERIES SILICON COVER ENCLOSURES, SIZE 3, DARK GREY, 135x76x27			
		FINISH. FINE TEXTURE		DWG NO. CHH873DGN			
DRAWN LEWIS LETCHFORD		SIGNED L.L.		DATE 11/02/2014		MATERIAL. ABS UL94-V0	
CHKD IAN PAGANO		SIGNED I.P.		DATE 18/02/14		SCALE. 2:7	
		PROJECTION.				SHEET 1 OF 1	