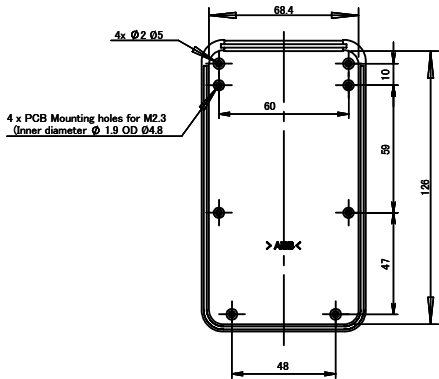
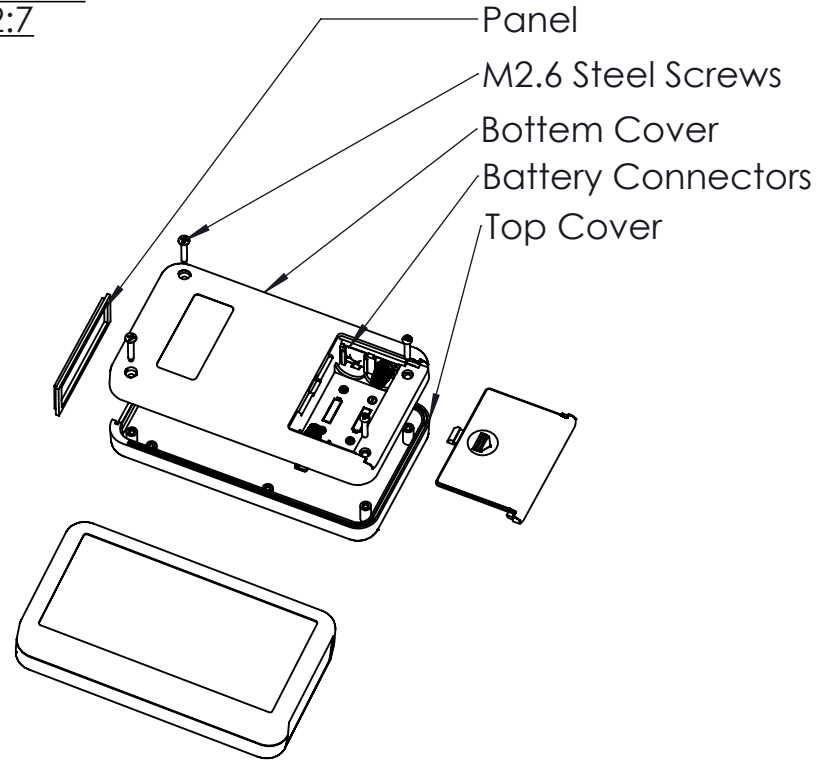
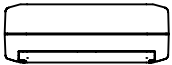
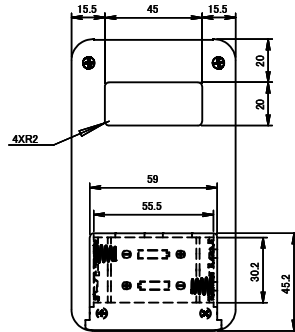
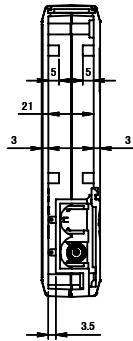
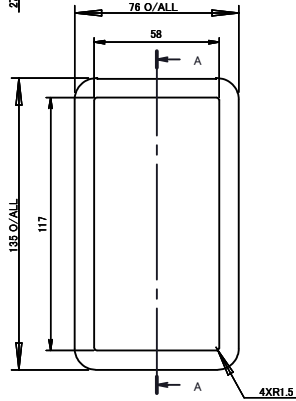
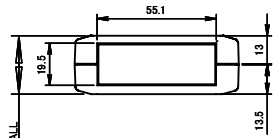
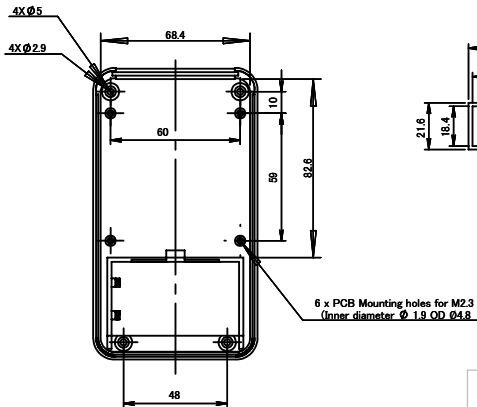


ASSEMBLY

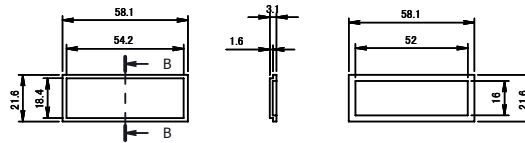
**ISO VIEW
2:7**



TOP



BASE



PANEL

<p>CAMDENBOSS JAMES CARTER RD, MILDENHALL, SUFFOLK. IP28 7DE TEL: 01638 716101 FAX: 01638 716554 EMAIL: Sales@CamdenBoss.com WEB: www.CamdenBoss.com</p>		UNLESS OTHERWISE SPECIFIED: DIMENSIONS ARE IN MILLIMETERS	DO NOT SCALE DRAWING	REVISION. <input type="checkbox"/>			
		GENERAL TOLERANCES +/- 0.2	TITLE: 87 SERIES SILICON COVER ENCLOSURES, SIZE 3, DARK GREY, BATTERY COMPARTMENT, 135x76x27				
	NAME	SIGNED	DATE	MATERIAL. ABS UL94-V0	DWG NO.	CHH873DGB	A4
DRAWN	LEWIS LETCHFORD	L.L.	11/02/2014				
CHKD	IAN PAGANO	I.P.	21/02/14	PROJECTION.	SCALE: 2:7	SHEET 1 OF 1	