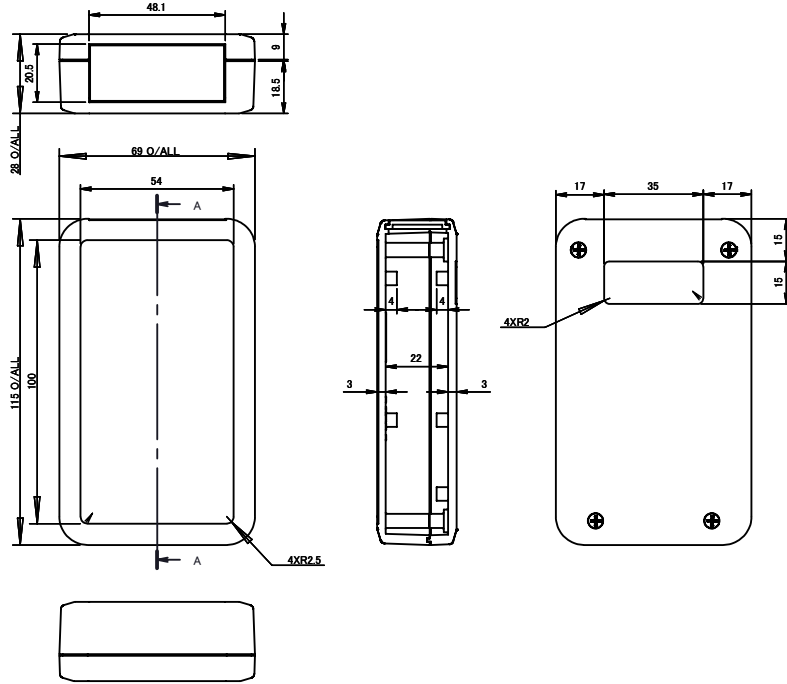
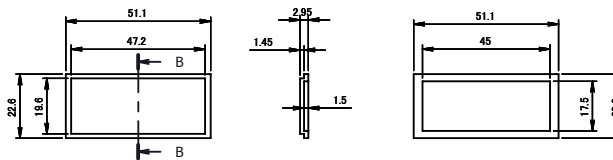
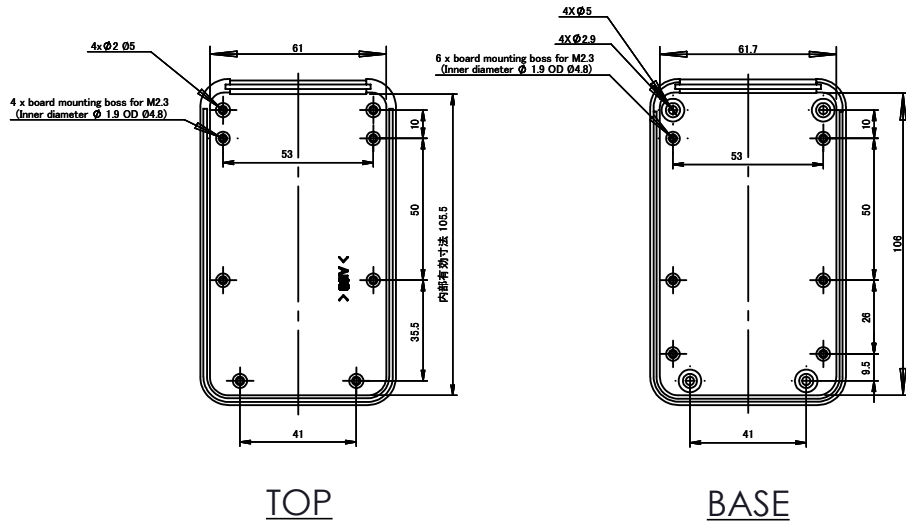
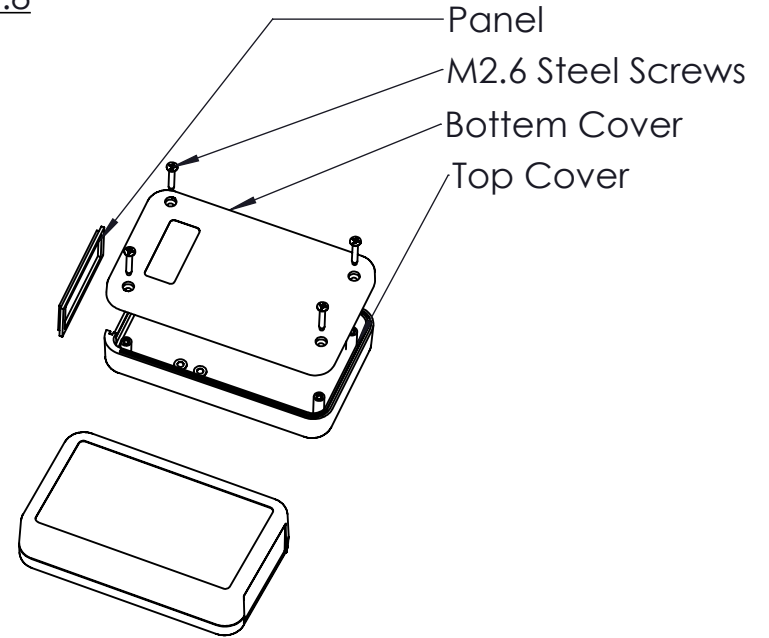



ASSEMBLY



ISO VIEW  
3:8



PANEL

 <b>CAMDENBOSS</b> JAMES CARTER RD, MILDENHALL, SUFFOLK. IP28 7DE TEL: 01638 716101 FAX: 01638 716554 EMAIL: Sales@CamdenBoss.com WEB: www.CamdenBoss.com		UNLESS OTHERWISE SPECIFIED: DIMENSIONS ARE IN MILLIMETERS		DO NOT SCALE DRAWING	REVISION. ○
		GENERAL TOLERANCES +/- 0.2		TITLE: <b>87 SERIES SILICON COVER ENCLOSURES, SIZE 2, DARK GREY, 115x69x28</b>	
FINISH. FINE TEXTURE		MATERIAL. ABS UL94-V0		DWG NO. <b>CHH872DGN</b>	A4
DRAWN	LEWIS LETCHFORD	L.L.	10/02/2014	SCALE: 3:8	SHEET 1 OF 1
CHK'D	IAN PAGANO	I.P.	21/02/14	PROJECTION. 