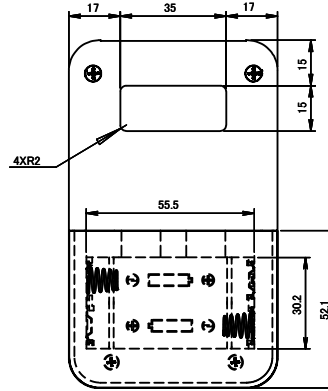
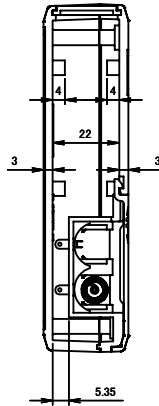
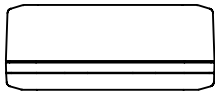
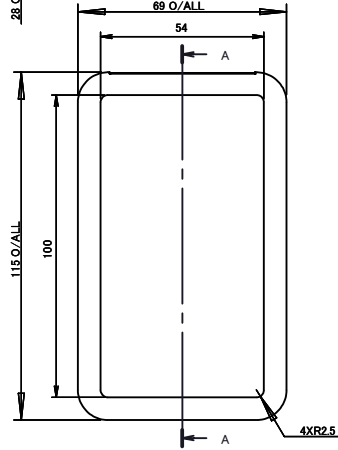
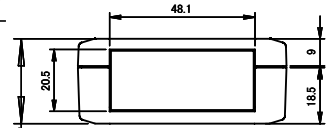
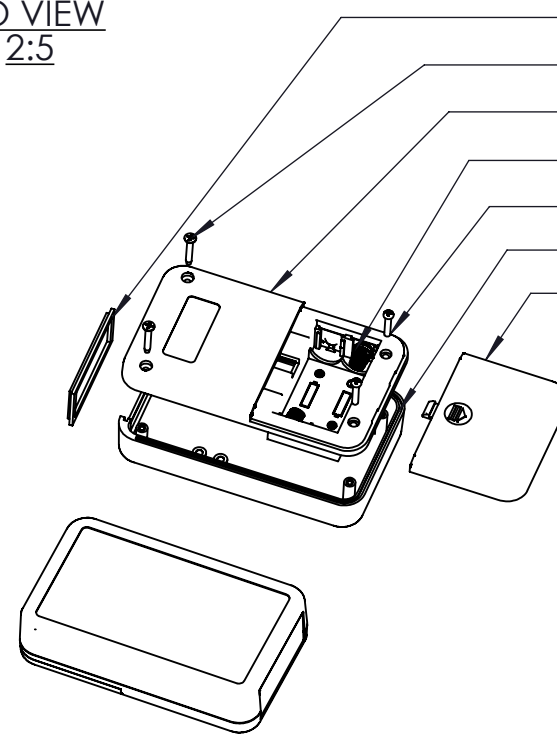


**ASSEMBLY**

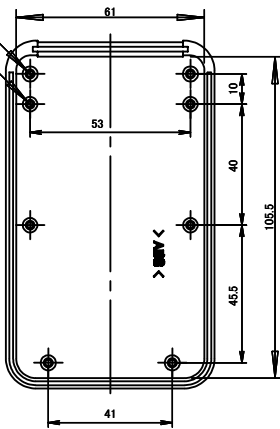


**ISO VIEW  
2:5**

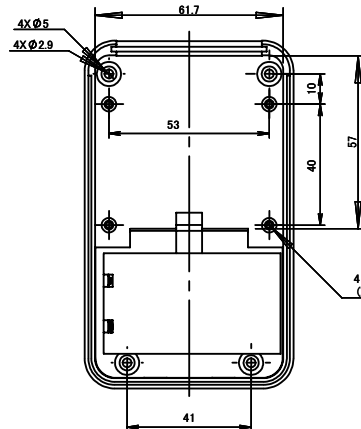


- Panel
- M2.6 Steel Screws
- Bottom Cover
- Battery Connectors
- M2.6 Steel Screws
- Top Cover
- Battery Cover

4 x  $\varnothing 2 \varnothing 5$   
(Inner diameter  $\varnothing 1.9$  OD  $\varnothing 4.8$ )

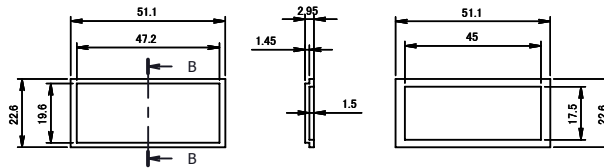


**TOP**



**BASE**

4 x PCB Mounting holes for M2.3  
(Inner diameter  $\varnothing 1.9$  OD  $\varnothing 4.8$ )



**PANEL**

<p><b>CAMDENBOSS</b> JAMES CARTER RD, MILDENHALL, SUFFOLK. IP28 7DE TEL: 01638 716101 FAX: 01638 716554 EMAIL: Sales@CamdenBoss.com WEB: www.CamdenBoss.com</p>		UNLESS OTHERWISE SPECIFIED: DIMENSIONS ARE IN MILLIMETERS		DO NOT SCALE DRAWING		REVISION. <input type="checkbox"/>	
		GENERAL TOLERANCES +/- 0.2		TITLE: <b>87 SERIES SILICON COVER ENCLOSURES, SIZE 2, DARK GREY, BATTERY COMPARTMENT, 115x69x28</b>			
DRAWN		NAME	SIGNED	DATE	MATERIAL.		DWG NO.
LEWIS LETCHFORD		LL		11/02/2014	ABS UL94-V0		<b>CHH872DGB</b>
CHKD		IAN PAGANO	I.P.	18/02/14	PROJECTION.		A4
				SCALE: 2:5		SHEET 1 OF 1	