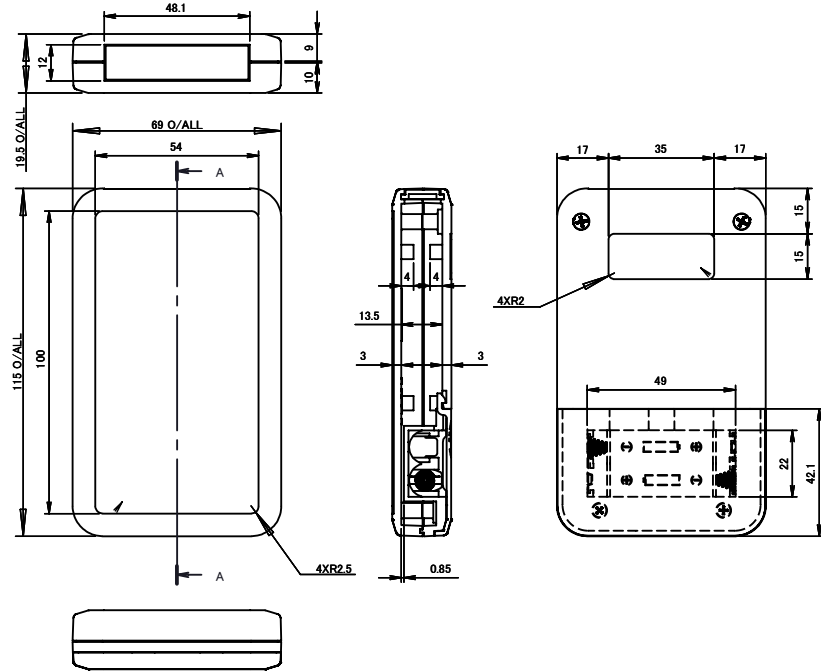
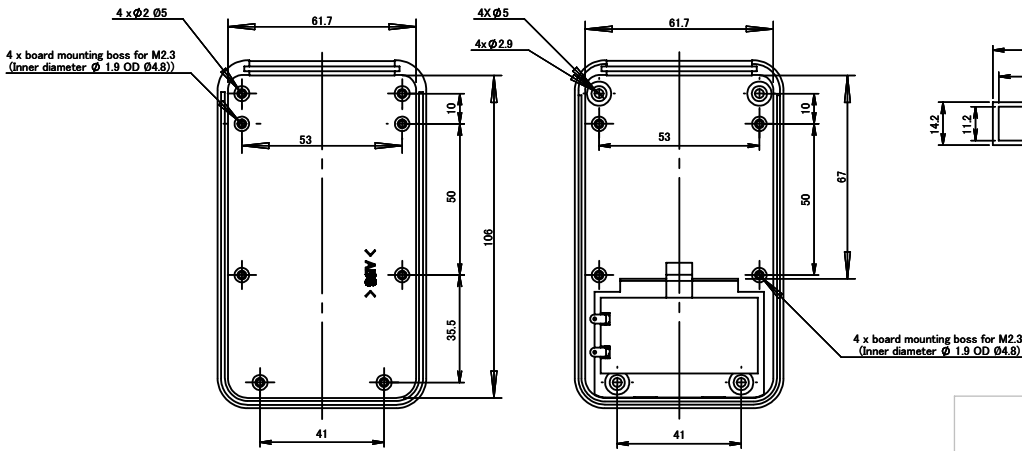
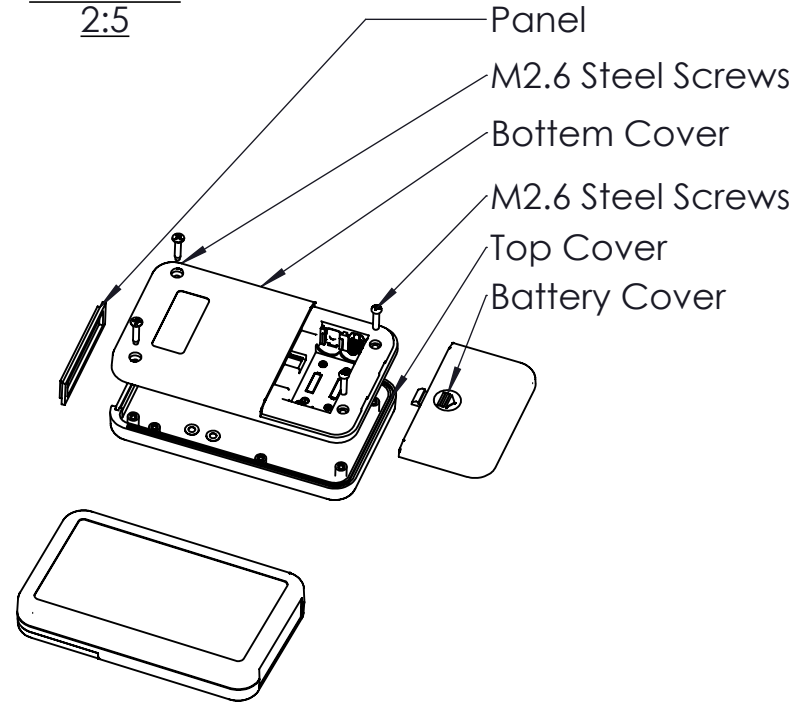


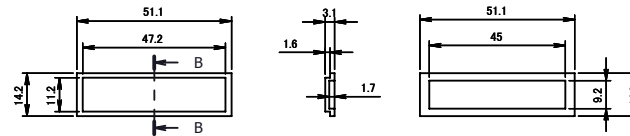
ASSEMBLY



**ISO VIEW
2:5**




PANEL



TOP

BASE

| | | | | | | | |
|---|-----------------|--|--|------------------------------------|------------|-------------------|-----------|
|  CAMDENBOSS JAMES CARTER RD, MILDENHALL, SUFFOLK. IP28 7DE TEL: 01638 716101 FAX: 01638 716554 EMAIL: Sales@CamdenBoss.com WEB: www.CamdenBoss.com | | UNLESS OTHERWISE SPECIFIED: DIMENSIONS ARE IN MILLIMETERS | DO NOT SCALE DRAWING | REVISION. <input type="checkbox"/> | | | |
| | | GENERAL TOLERANCES +/- 0.2 | TITLE: 87 SERIES SILICON COVER ENCLOSURES, SIZE 1, WHITE, BATTERY COMPARTMENT, 115x69x19.5 | | | | |
| | NAME | SIGNED | DATE | MATERIAL. | DWG NO. | CHH871 WHA | A4 |
| FINISH. | LEWIS LETCHFORD | L.L. | 10/01/2014 | ABS UL94-V0 | | | |
| CHKD | IAN PAGANO | I.P. | 21/02/14 | PROJECTION. | SCALE: 2:5 | SHEET 1 OF 1 | |