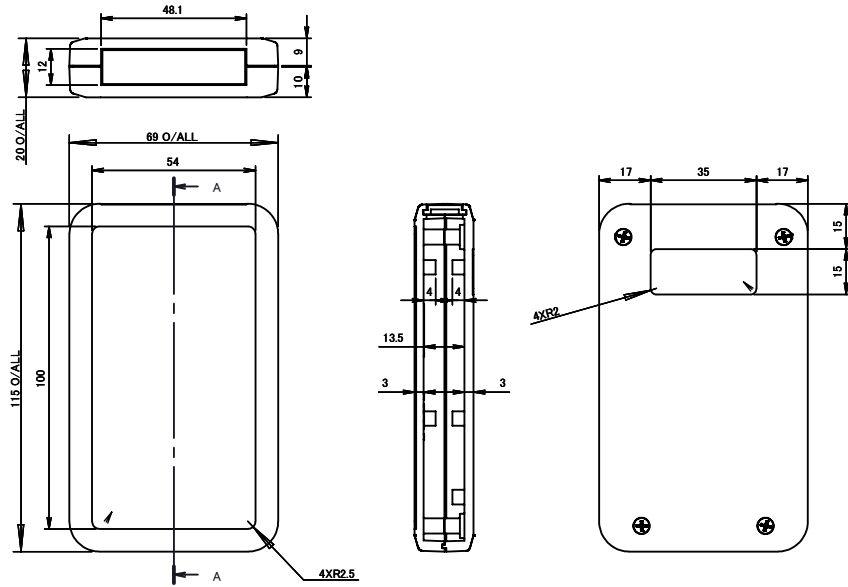
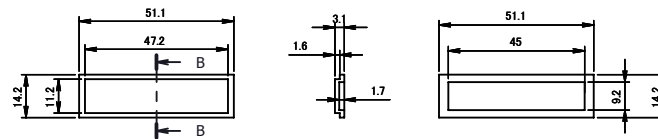
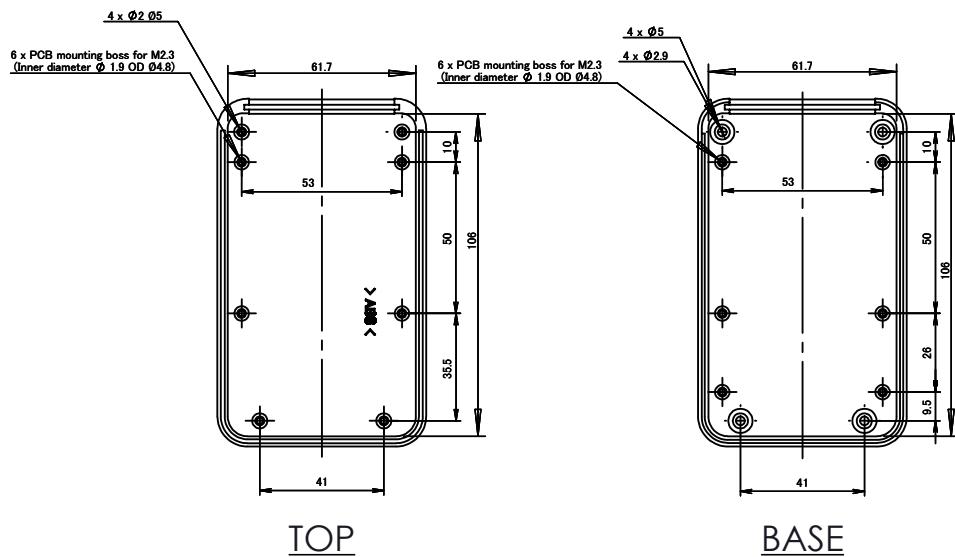
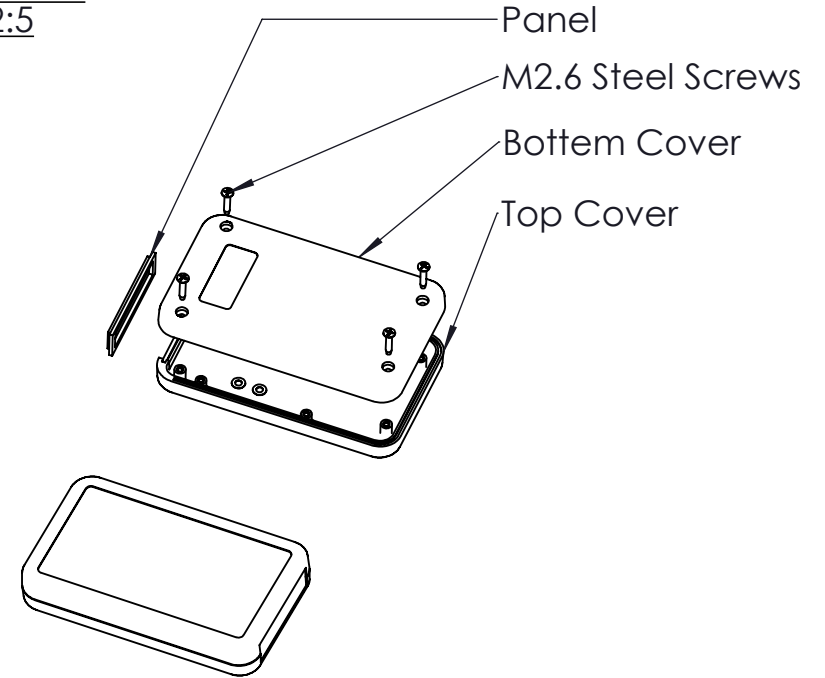



ASSEMBLY



**ISO VIEW
2:5**



PANEL

 CAMDENBOSS JAMES CARTER RD, MILDENHALL, SUFFOLK. IP28 7DE TEL: 01638 716101 FAX: 01638 716554 EMAIL: Sales@CamdenBoss.com WEB: www.CamdenBoss.com		UNLESS OTHERWISE SPECIFIED: DIMENSIONS ARE IN MILLIMETERS	DO NOT SCALE DRAWING	REVISION. <input type="checkbox"/>
		GENERAL TOLERANCES +/- 0.2	TITLE: 87 SERIES SILICON COVER ENCLOSURES, SIZE 1, DARK GREY, 115x69x19.5	
FINISH. FINE TEXTURE		MATERIAL. ABS UL94-V0	DWG NO. CHH871DGN	A4
DRAWN	NAME LEWIS LETCHFORD	SIGNED L.L.	DATE 10/02/2014	SCALE. 2:5
CHKD	IAN PAGANO	I.P.	21/02/14	SHEET 1 OF 1